

# General Instructions

Please retain product label and instructions for future reference

**03TGCOR0707-V5**

**7X7 CORNER SUMMERHOUSE**

## BEFORE YOU START PLEASE READ INSTRUCTIONS CAREFULLY

- Check the pack and make sure you have all the parts listed.
- When you are ready to start, make sure you have the right tools at hand (not supplied) including a Phillips screwdriver, Stanley knife, wood saw, step ladder and drill with 2mm bit.
- Ensure there is plenty of space and a clean dry area for assembly.

## TIMBER

As with all natural materials, timber can be affected during various weather conditions. For the duration of heavy or extended periods of rain, swelling of the wood panels may occur. Warping of the wood may also occur during excessive dry spells due to an interior moisture loss. Unfortunately, these processes cannot be avoided but can be helped. It is suggested that the outdoor building is sprayed with water during extended periods of warm sunshine and sheltered as much as possible during rain or snow.

Our buildings are pre treated with a water based treatment<sup>\*\*</sup>; this only helps to protect the product during transit and for upto 3 months against mould. To validate your guarantee and ensure longevity of the product, it is ESSENTIAL the building is treated with a wood preserver within the first three months of assembly and thereafter in accordance with the manufactures recommendations. Care must be taken to ensure the product is placed on a suitable base.

## BUILDING A BASE

When thinking about where the building and base is going to be constructed: Ensure that there will be access to all sides for maintenance work and annual treatment.

Ensure the base is level and is built on firm ground, to prevent distortion. Refer to diagrams for the base dimensions, The base should be slightly smaller than the external measurement of the building, i.e. The cladding should overlap the base, creating a run off for water. It is also recommended that the floor be at least 25mm above the surrounding ground level to avoid flooding.

## TYPES OF BASE

- Concrete 75mm laid on top of 75mm hard-core.
- Slabs laid on 50mm of sharp sand.

***Whilst all products manufactured are made to the highest standards of Safety and in the case of childrens products independently tested to EN71 level, we cannot accept responsibility for your safety whilst erecting or using this product.***

Refer to the instructions pages for you specific product code



x2

All building's should be erected by two adults



Winter = High Moisture = Expansion  
Summer = Low Moisture = Contraction



2mm Drill bit

For ease of assembly, you **MUST** pilot drill all screw holes and ensure all screw heads are countersunk.



## CAUTION

Every effort has been made during the manufacturing process to eliminate the prospect of splinters on rough surfaces of the timber. You are strongly advised to wear gloves when working with or handling rough sawn timber.

## **\*\*Protim Aquatan T5 (621)\*\***

Your building has been treated with **Aquatan**.

Aquatan is a water-based concentrate which is diluted with water, the building as been treated by the correct application of Aquatan solution and then allowed to dry.

Aquatan is a decorative finish to colour the wood, which is applied industrially to timber fence panels and garden buildings.

**Aquatan undiluted contains:** boric acid, sodium hydroxide 32% solution, aqueous mixture of sodium dioctyl sulphosuccinat and alcohols: 2, 4, 6-trichlorophenol.

For assistance please contact customer care on: **01636 880514**

**Mercia Garden Products Limited,  
Sutton On Trent,  
Newark,  
Nottinghamshire,  
NG23 6QN**

[www.merciagardenproducts.co.uk](http://www.merciagardenproducts.co.uk)

### Overall Dimensions:

Length = 2084mm  
Width = 2084mm  
Height = 2006mm

### Base Dimensions:

Length = 1998mm  
Width = 1998mm



- 18 Barrel Bolt QTY 2
- 19 Butt hinge QTY 6
- 20 Door Handle QTY 2  
35mm Bolt x 4
- 21 Turn Button QTY 2
- 22 Press Lock
- 23 "L" Bracket QTY2
- 24 Rain Guard - 687mm QTY 2
- 25 Rear Cover Trim - 1800mm QTY 2
- 26 Rain Guard - 990mm
- Nail Bag
- 40mm Screw x64
- 50mm Screw x40
- 60mm Screw x20
- 25mm Screw x38
- Felt Tacks x130
- 10mm Screw x10
- 16mm Black Screw x8
- 30mm Screw x10

- 1 Door Panel
- 2 Window Panel QTY 2
- 3 Rear Panel Right
- 4 Rear Panel Left
- 5 Floor
- 6 Roof
- 7 Slave Door
- 8 Master Door
- 9 Roof Support Bar - 1906mm
- 10 Rear Panel Frame - 1905mm
- 11 Front Panel Frame - 1135mm
- 12 Rear Roof Frame - 2050mm
- 13 Front Roof Frame - 1203mm
- 14 Panel Joint - 1806mm
- 15 Rear Fascia - 2050mm QTY 2
- 16 Front Fascia - 1212mm QTY 3
- 17 Cover Trim - 1918mm QTY 4

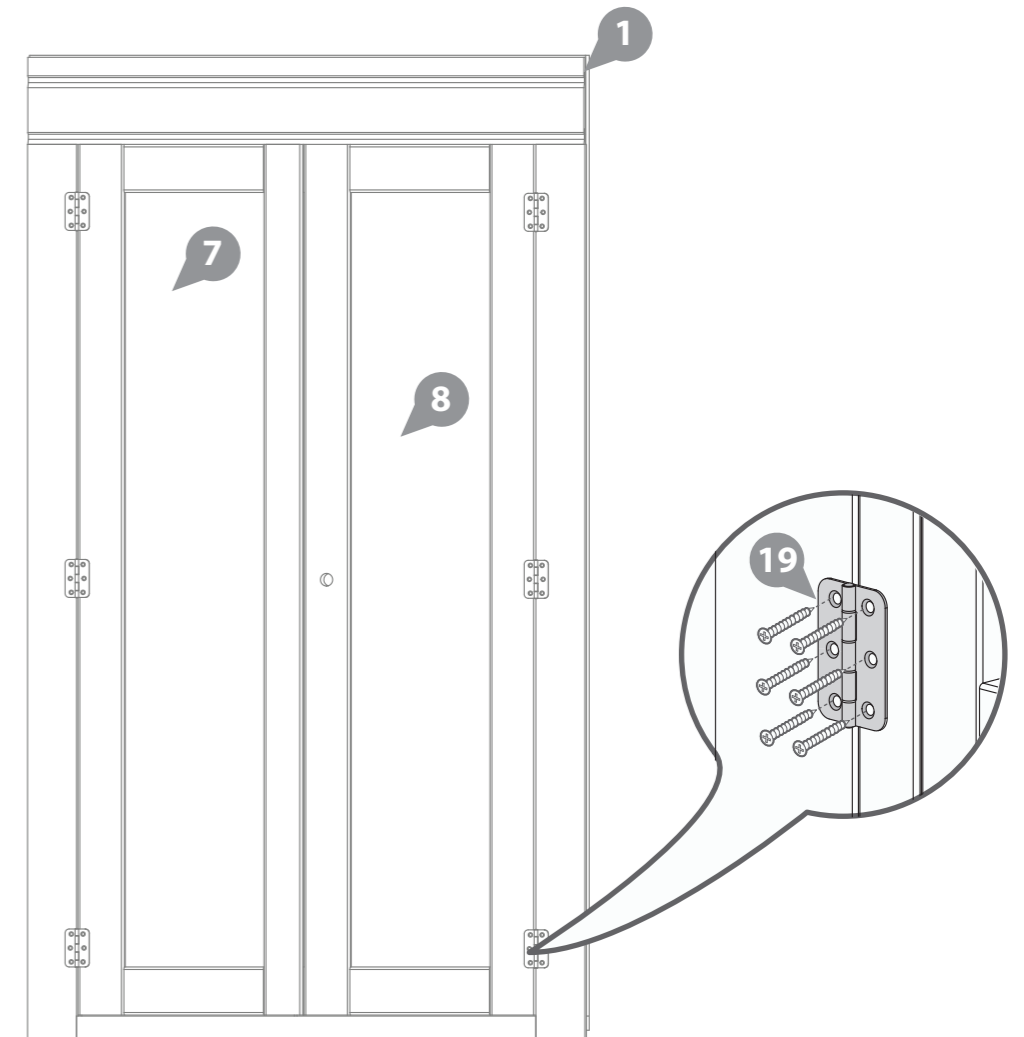
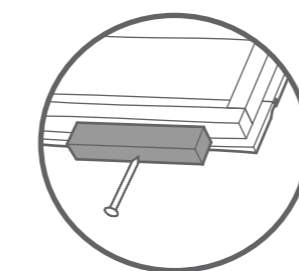
\*The Floor panel can be identified as being smaller than the roof panel.

### Pre Assembly

Remove transportation blocks from the bottom of each panel before beginning assembly. Each Panel should have two.

Attach the butt hinges to the door and door panel using 6x25mm screws per hinge.

### 36x25mm Screws



**Pre Assembly**

Position press lock on the door align with key hole and fix into position using 4 x 10mm screws.

Then fit barrel bolts to top and bottom of the door as shown in diagram. Use 4x10mm screws per barrel bolt.

Ensure doors open and close freely.

Drill a hole in the framing above and below the door for the tower bolt to fix into.

**4x16mm Black Screws**  
**8x10mm Screws**



16mm screw



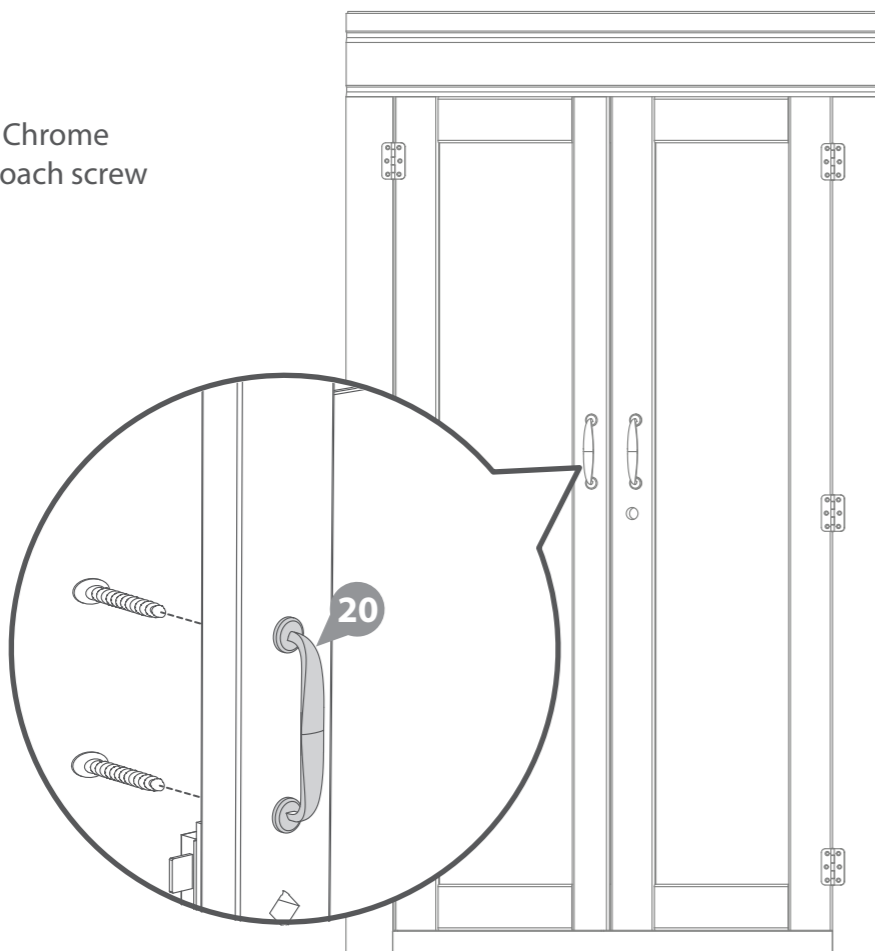
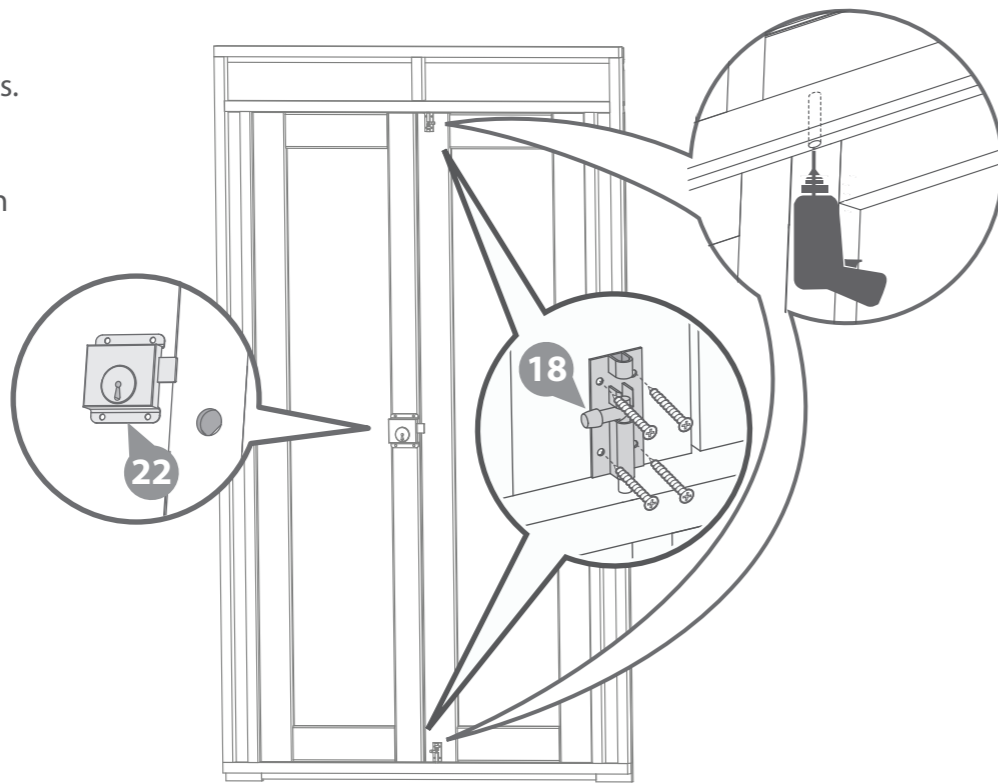
10mm screw

Pre drill holes then fix Chrome Handle using 35mm coach screw as shown in diagram.

**4x35mm Bolt**



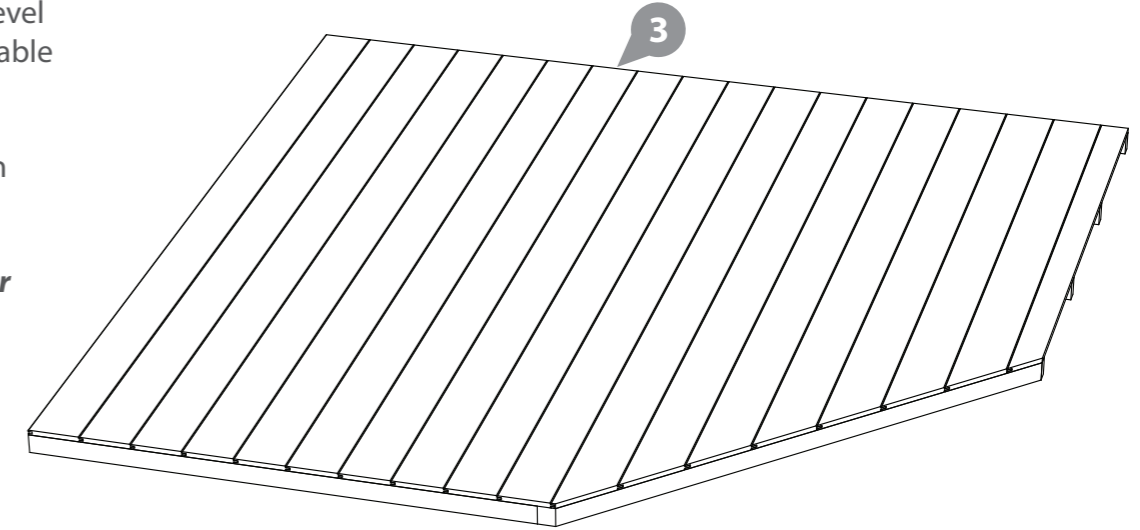
35mm bolt



**Step 1**

Place floor on a firm and level base, ensure base has suitable drainage free from areas where standing water can collect. (See front page on base requirements).

*\*The floor panel is smaller than the roof panel.*



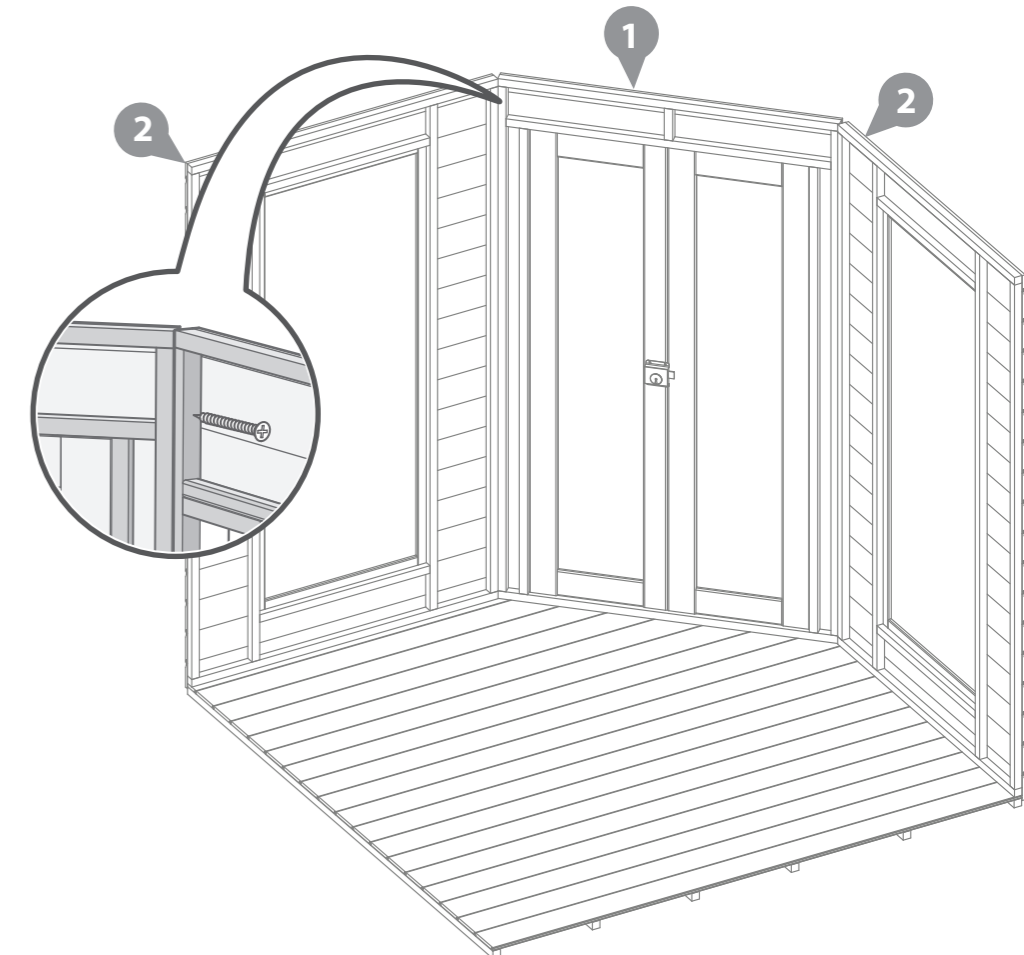
**Step 2**

Fix the window panels and the door panel with 6x60mm screws as shown in the diagram.

**6x60mm Screws**



60mm screw



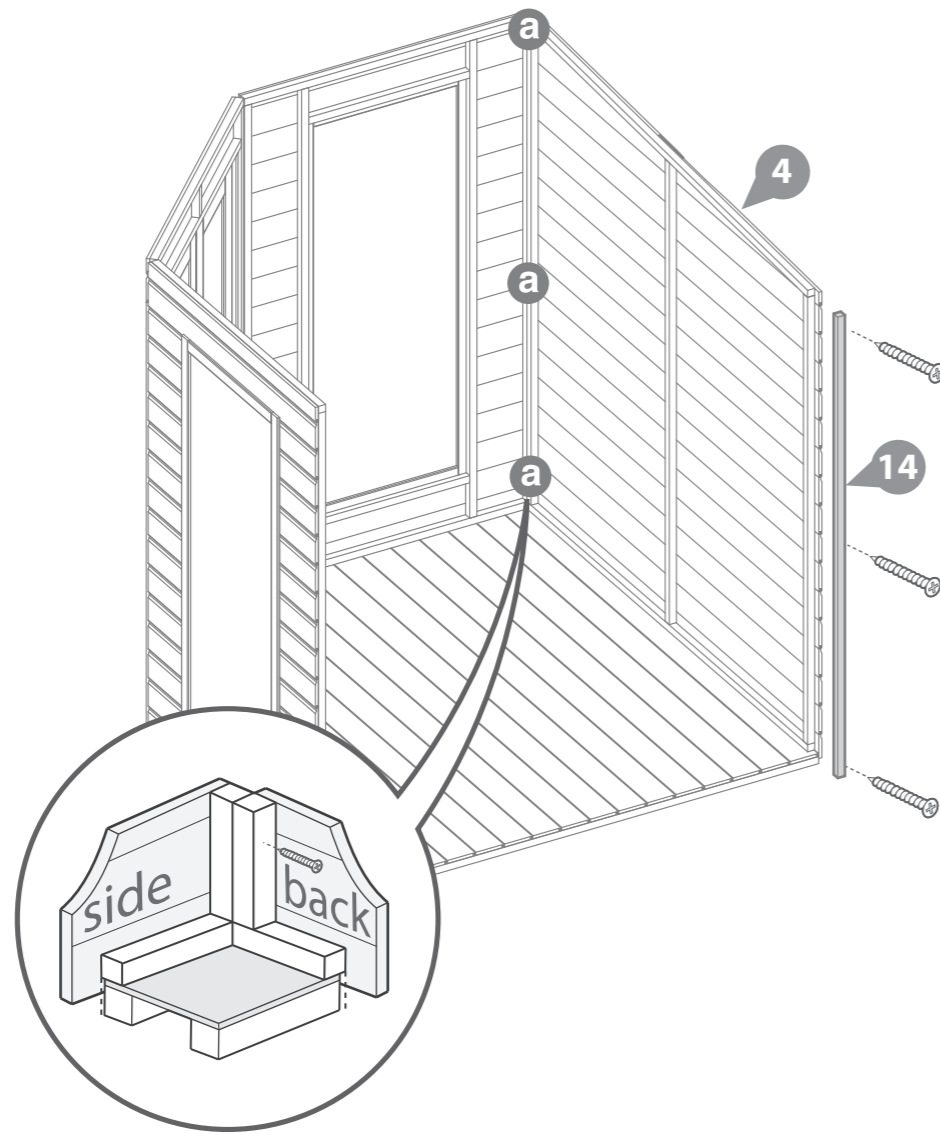
**Step 3**

Place rear panel left against the floor and the window side.

Fix into place using 3x50mm screws as shown in the diagram.

Attach the panel joint into place with 3x50mm screws.

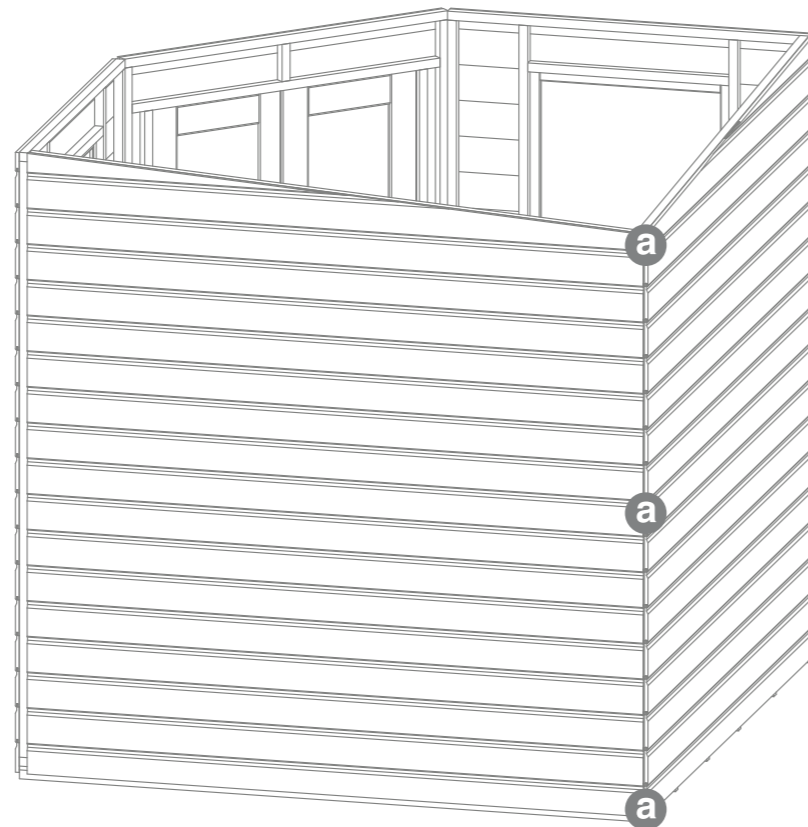
**6x50mm Screws**



**Step 4**

Using the same method outlined in Step 3 place the rear panel right against the floor and window panel securing using 6x50mm screws.

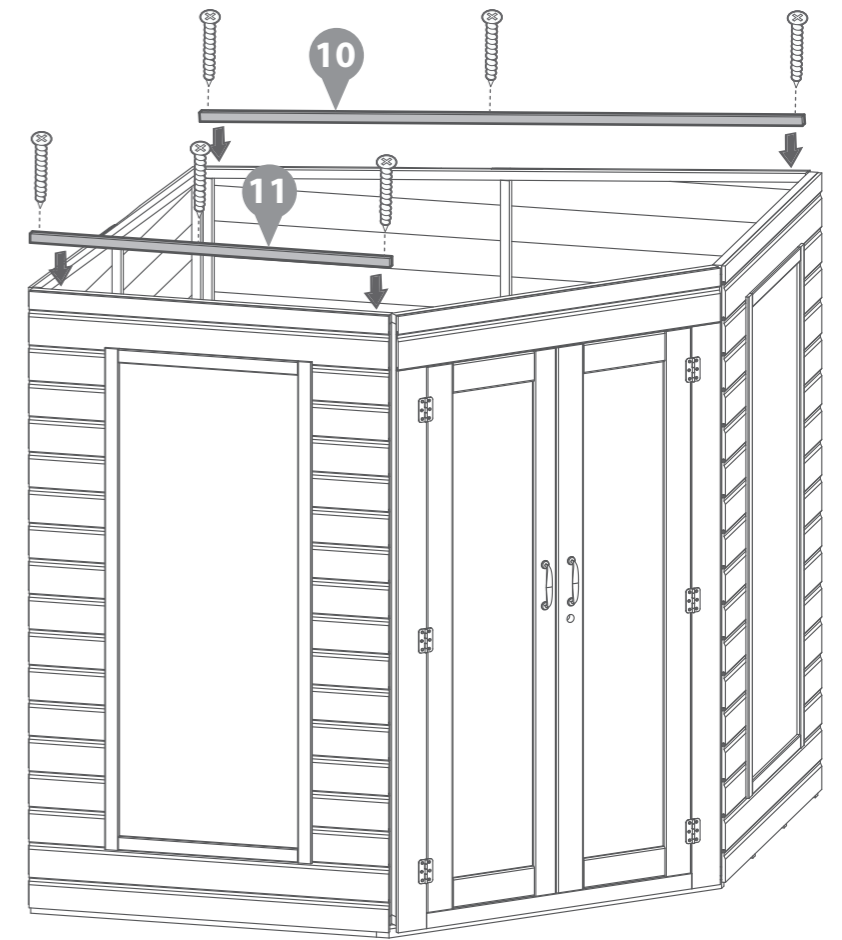
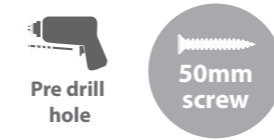
**6x50mm Screws**



**Step 5**

Place the front and rear panel frames onto the window panels and fix in place using 3x50mm screws.

**6x50mm Screws**

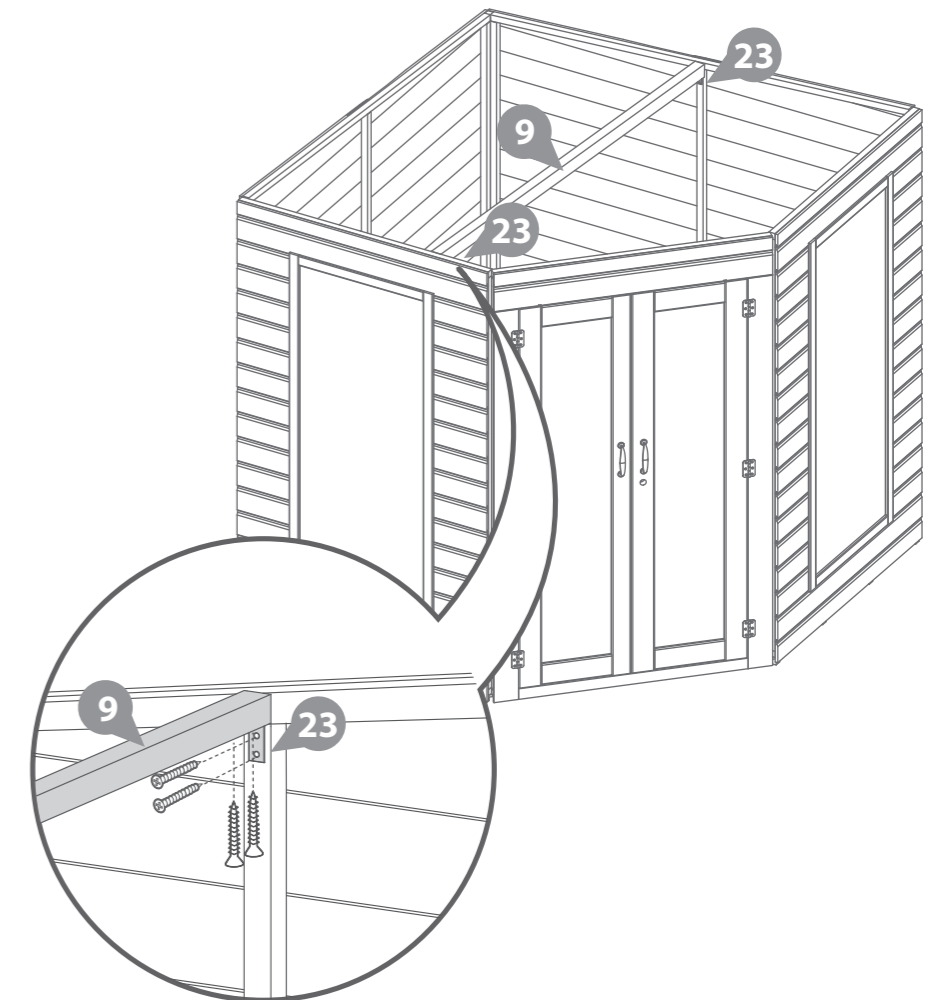


**Step 6**

Position the support bar across the building from the left window panel upright framing to the opposite framing on the plain panel right as shown in the diagram.

Fix the support bar the framing on both panels using the L bracket and 4x30mm screws per bracket as shown in the bubble diagram.

**8x30mm Screws**



### Step 7

Place the roof section on top of the building, ensure the roof framing slots over each side.

Fix the roof panel onto the wall panels using 40mm screws.

Screw 6x60mm screws through the framing on the roof and into the support bar.

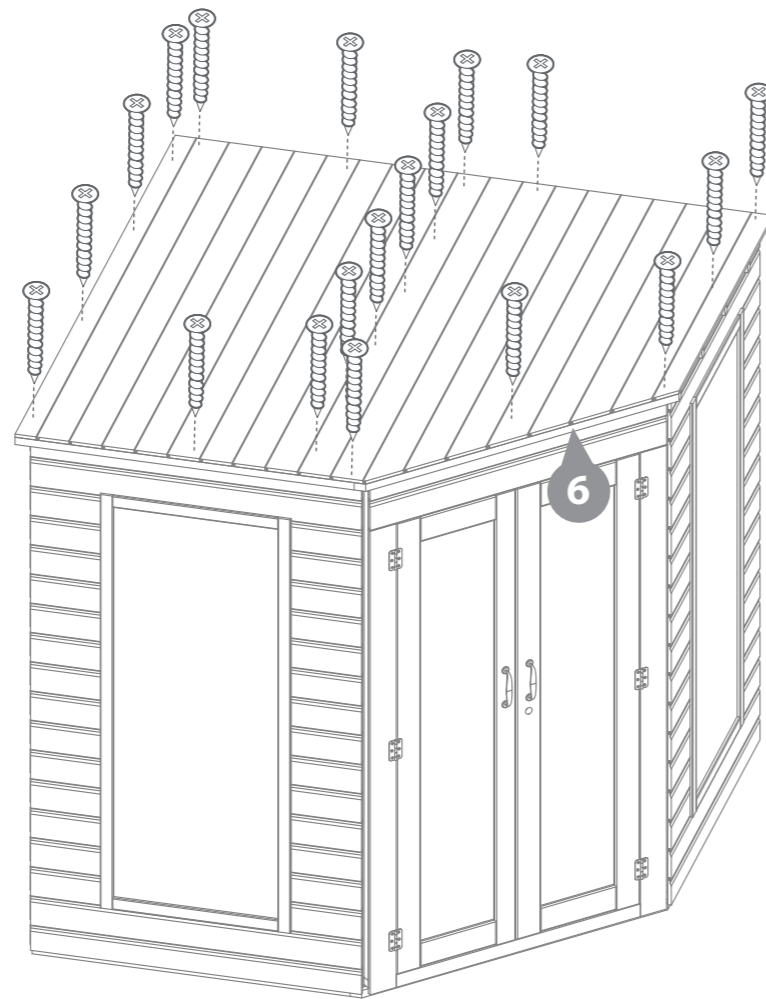
*\* It is recommended to cut the roof felt sheets before fixing the roof to the building.*

*\*The roof panel can be identified as being bigger than the floor panel.*

**21x40mm Screws**  
**6x60mm screws**



40mm screw



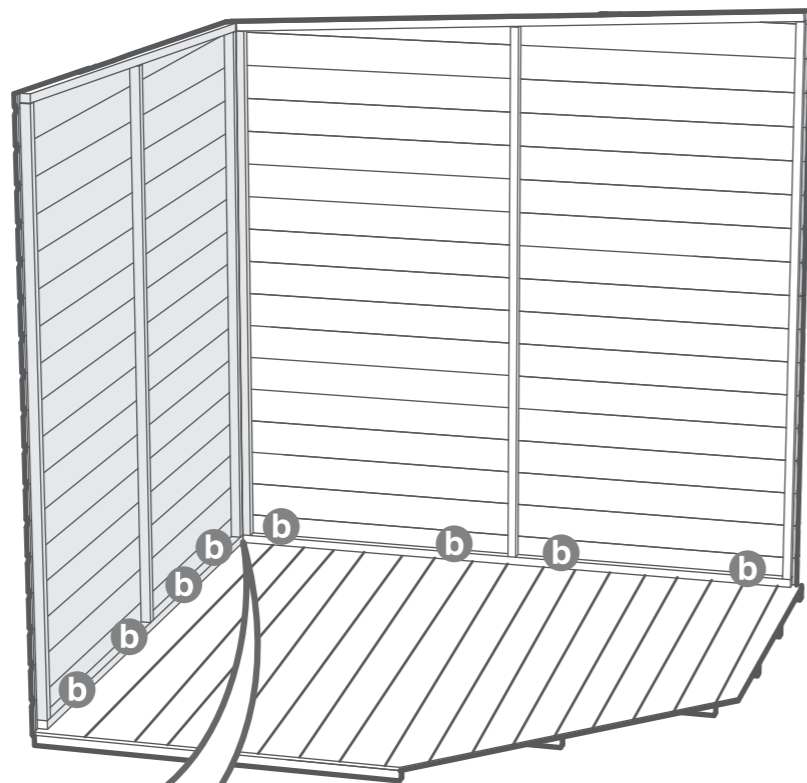
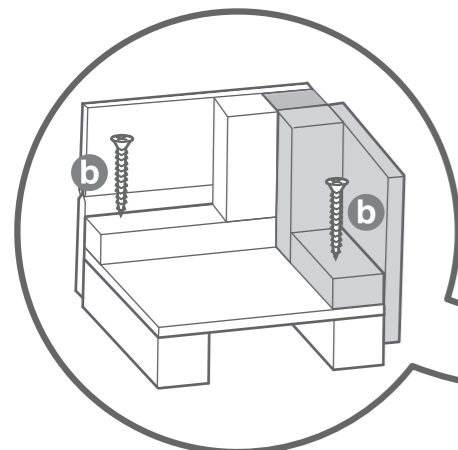
### Step 8

Secure the building to the floor. Fix the panels onto the floor using 50mm screws in alignment with the floor joists

**20x50mm Screws**



50mm screw



### Step 9

Cut three strips from roll of felt, 2x3020mm and 1x1420mm in length. Place felt on top of roof sheet and align as shown in diagram ensuring strip 3 over hangs the front by 50mm, with equal spacing at each corner.

*\*Ensure strip 1 is the first piece placed down then lay sheet 2 and then 3. Make sure each sheet overlaps the next by at least 100mm creating a run off.*

Use a fascia as a guide to mark out the angled cuts including 50mm overhang.

Cut the sides as shown in diagram at the dotted lines, use fascia width as a cutting guide. Cut the triangle with 50mm overhang again using fascia as a guide.

**130x Felt Tacks**

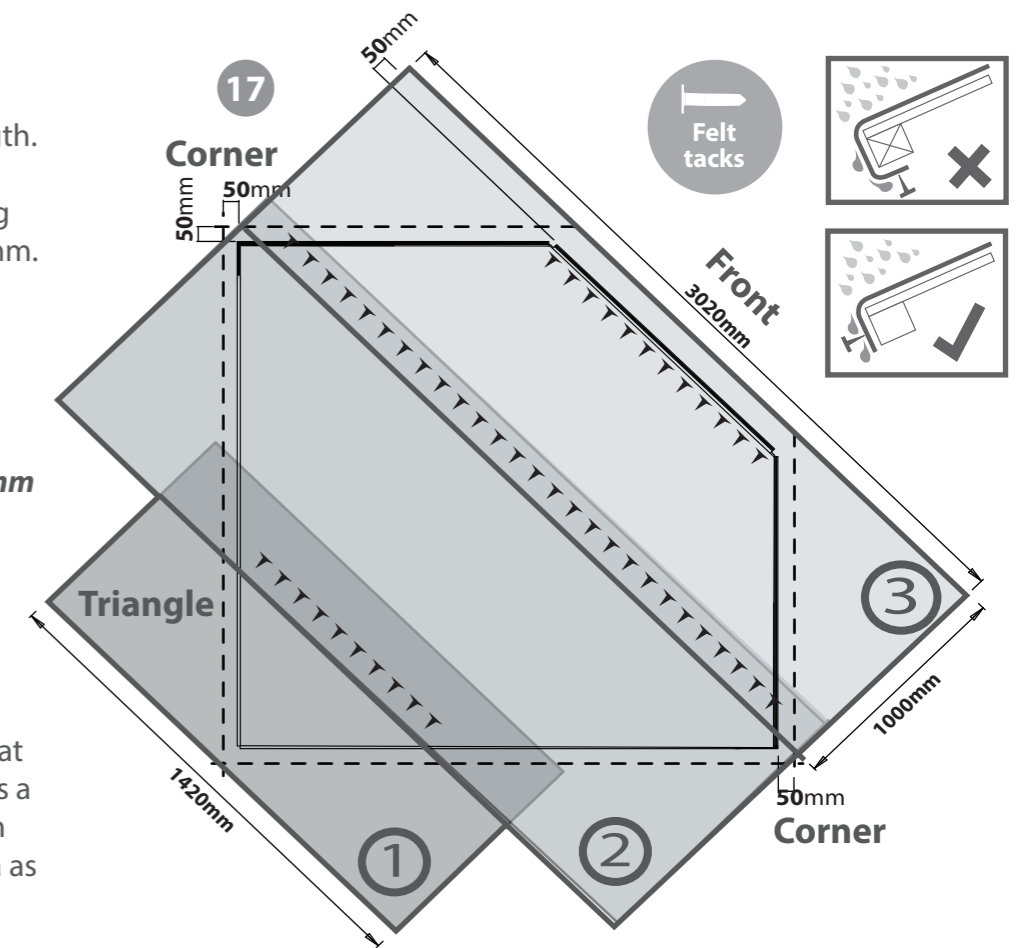
### Step 10

Fix the cover trims as shown in the diagram using 3x40mm screws per strip.

**12x40mm Screws**



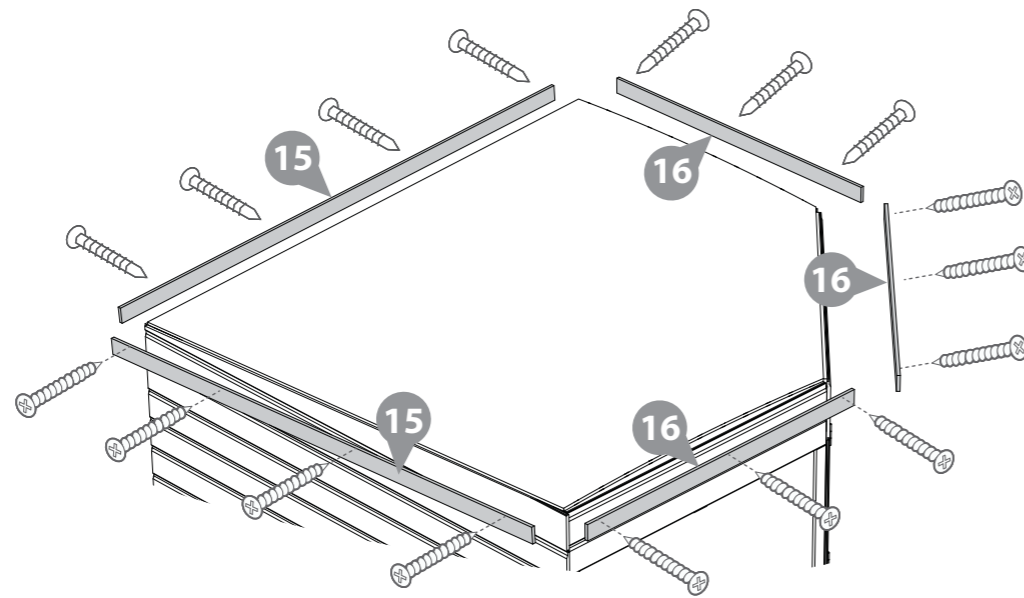
40mm screw



**Step 11**

Fix the fascias to the building over the felt and secure in place with 17x40mm screws as shown.

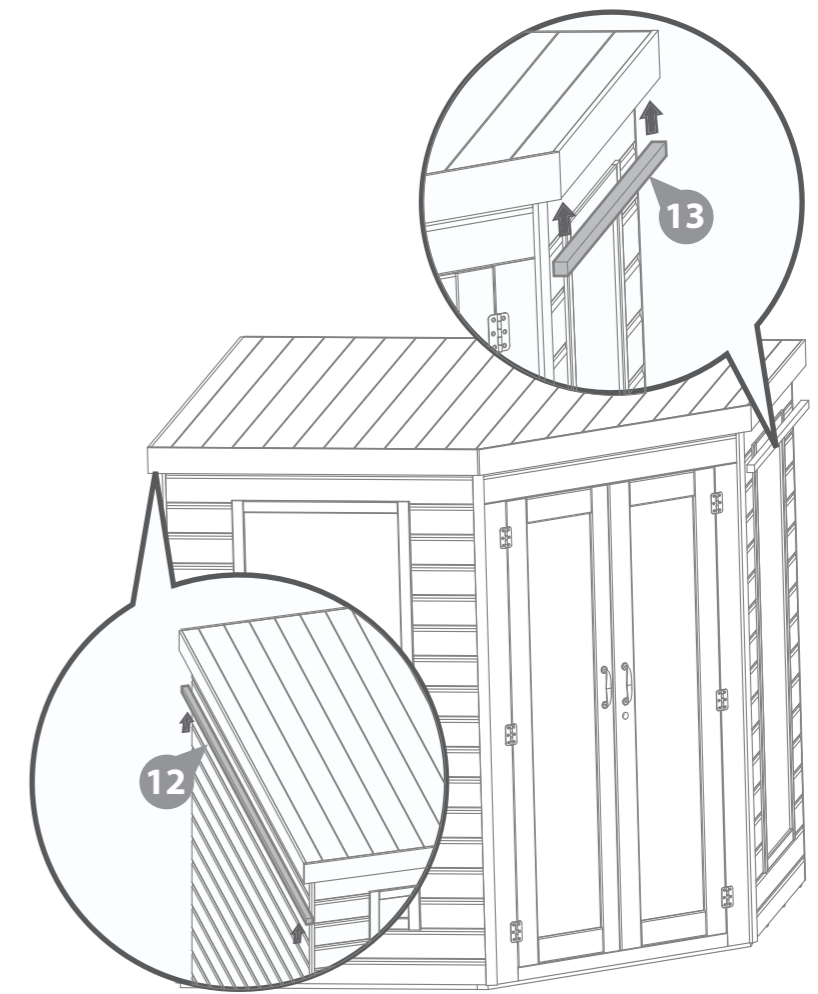
**17x40mm Screws**



**Step 13**

Secure the front and rear roof framing to the underside of the roof, fixing in place using 6x40mm screws

**6x40mm Screws**

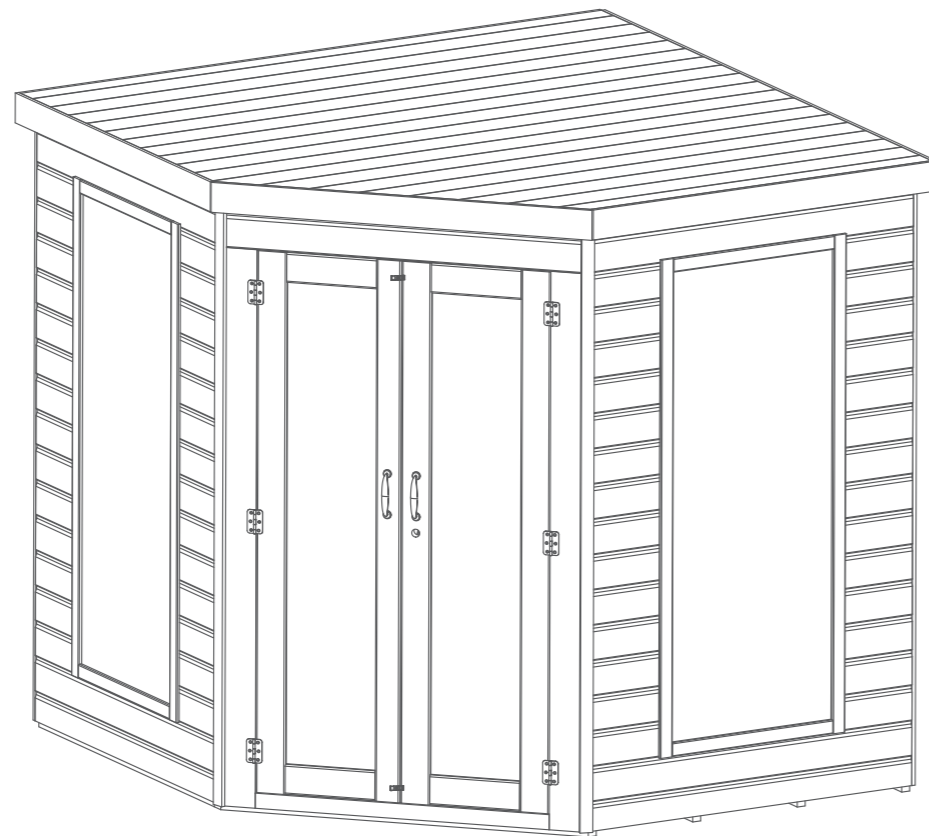
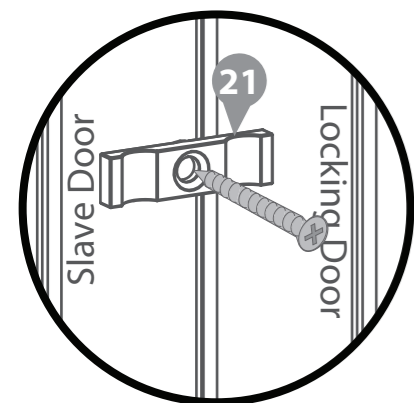


**Step 12**

Attach the two turn buttons to the top and bottom of the slave door using 1x16mm black screw per turn button.

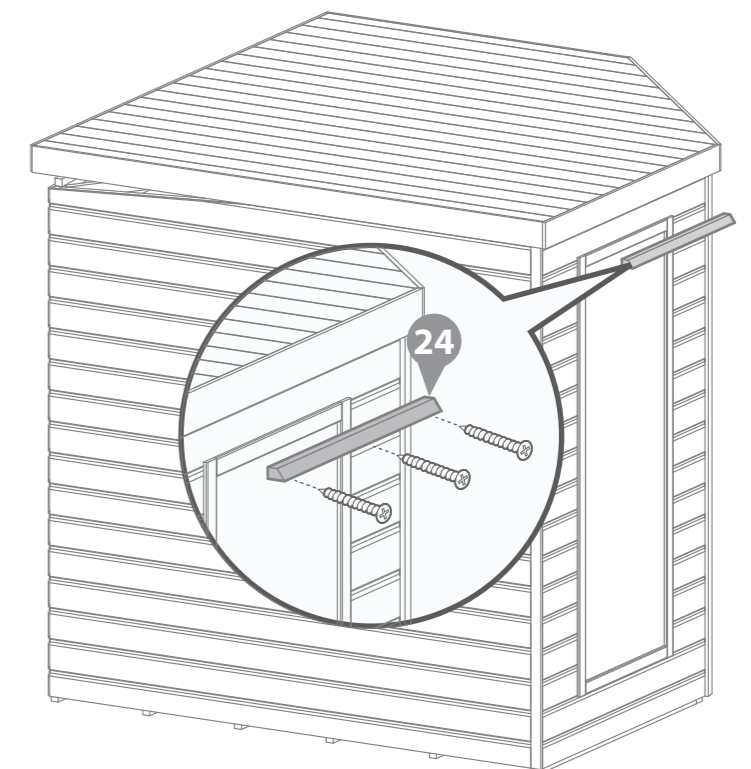
*\* These turn buttons help to keep your doors straight during high and low levels of moisture content in the air.*

**2x16mm Black Screws**



**Step 14**

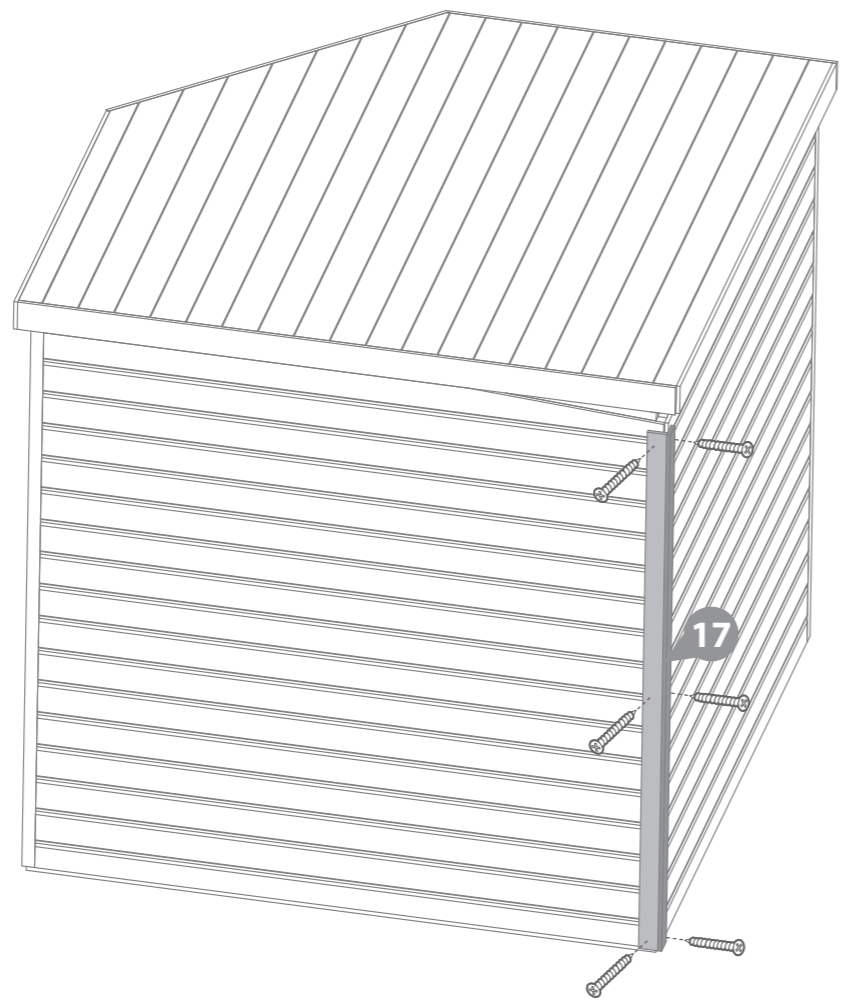
Attach the rain guards to the building, fixing in place above each window and the door using 3x60mm screws per guard.



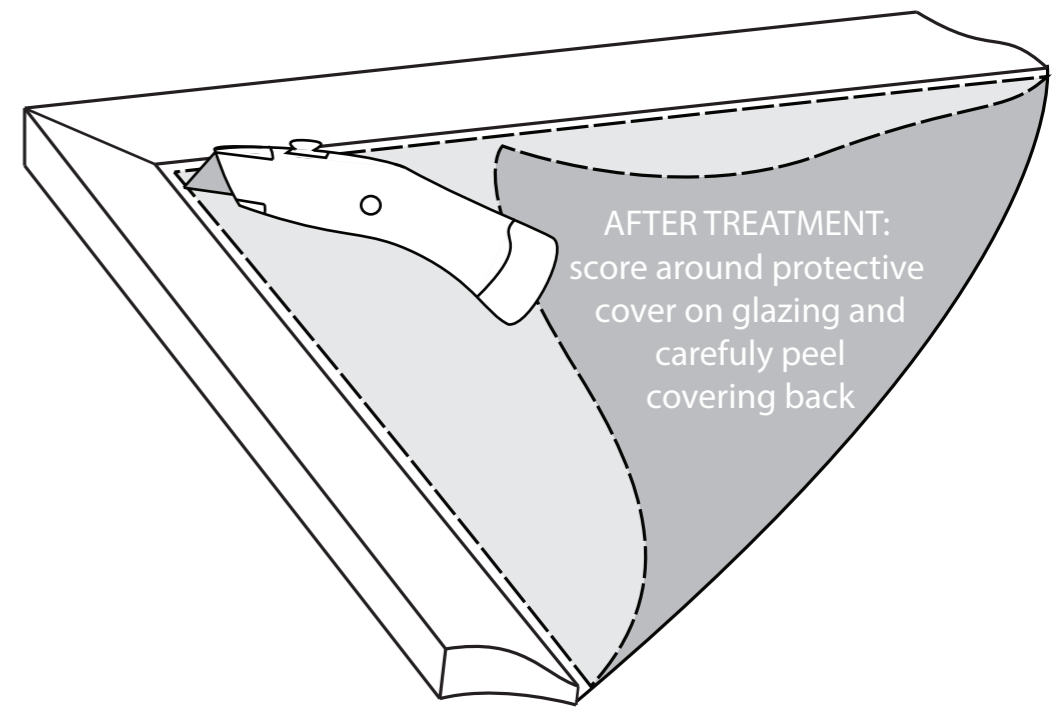
**Step 15**

Fix the rear cover trims to the back of the building, aligning with the edge of the panel.

**6x40mm Screws**



**It is ESSENTIAL that you apply wood treatment immediately after the building has been assembled.**



**AFTER TREATMENT:**  
score around protective cover on glazing and carefully peel covering back