

electrico

USER MANUAL



GAS FIRE PIT

EQODHGS

EDODHLR



0063-20

**WARNING: FOR OUTDOOR USE IN WELL VENTILATED AREAS ONLY.
DO NOT USE INDOORS.
PLEASE KEEP THE MANUAL FOR FUTURE REFERENCE**

CONTENTS

SAFETY	3
FEATURES	4
ASSEMBLY	4
PARTS LIST	5
ASSEMBLY	6
OPERATING INSTRUCTIONS	7
GAS REQUIREMENTS	7
CONNECTING TO A GAS CYLINDER	7
SECURING A GAS CYLINDER	8
LEAK TESTING	8
BATTERY REPLACEMENT	9
LIGHTING THE PILOT	9
MAINTENANCE	10
STORAGE	10
TROUBLESHOOTING	11
TECHNICAL SPECIFICATIONS	12
SUPPORT	12

IMPORTANT SAFETY INFORMATION

Please read this user manual before using this heater and keep it safe for future reference.

- Read the following instructions carefully and be sure your patio heater is properly installed, assembled and cared for. Retain the instructions for future reference.
- Failure to follow these instructions may result in serious bodily injury and/or property damage.
- **WARNING - Risk of Suffocation!** Gas heaters must be used outdoors and must not be used in enclosed areas such as sheds or marquees!
- Read the instruction manual before using the appliance.
- **WARNING:** Accessible parts may be very hot. Keep young children away.
- This appliance must be kept away from flammable materials during use.
- Do not move the appliance during use.
- The appliance should be secured to the ground when in use.
- Turn off the gas supply at the gas cylinder after use.
- Do not modify this appliance.
- If you have any questions concerning assembly or operation, consult the retailer or Bottled Gas Company.
- Always place the appliance and cylinder on flat level ground.
- Turn off the gas cylinder if gas leak is suspected.
- Parts sealed by the manufacturer must not be altered by the user. No modifications should be made to any part of this heater and repairs and maintenance should only be carried out by a registered Gas Safe service engineer.
- Use only regulator and hose approved for LP Gas at the correct pressures and gas type.
- The regulator should comply with the standard EN16129 and current regulations in the country where it is installed, which may be found at your nearest retailer of gas items.
- Refer to the technical data. It is strictly prohibited to use adjustable pressure.
- The life expectancy of the regulator is estimated as 10 years. It is recommended that the regulator is changed within 10 years of the date of manufacture or the national conditions require it.
- The type of replaceable hose should be compliant with EN16436-1.
- The hose used must conform to the relevant standard for the country of use.
- The length of the hose must be 0.7 meters (minimum) and 1.5 meters (maximum).
- A worn or damaged hose must be replaced. Ensure that the hose is not obstructed or kinked. It is recommended that the hose is changed within 1 year of the date of manufacture or as the national conditions require.

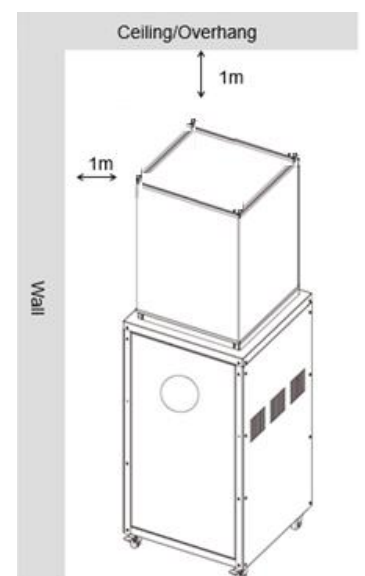
Outdoor use in well ventilated areas only, do not use indoors.

- Use only in a well-ventilated area. This must have a minimum of 25% of the surface area open.
- The surface area is the sum of all walls' surface areas.
- The use of this appliance in enclosed areas can be dangerous and is **PROHIBITED**.
- Children and adults should be aware of the high operating temperatures of areas above the post when operating this heater. Children should be carefully supervised when in the vicinity of the heater.

NEVER hang anything, including clothes or any other flammable items, on this heater.

DO NOT operate this heater unless it is fully assembled.

Respect the minimum clearances from combustible materials.

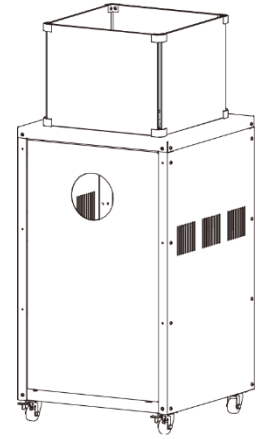


Minimum clearance from combustible surfaces

FEATURES OF YOUR GAS PATIO HEATER

Congratulations on the purchase of your electriQ heater. This appliance has the following features:

- Gas source: propane, butane and mixtures (LPG).
- Effective source of illumination and heat.
- Fire visible from all sides.
- Tempered glass protection.
- Electric ignition.
- Tilt switch and flame failure safety devices.
- Lockable wheels.



GENERAL INFORMATION FOR SUCCESSFUL ASSEMBLY

Please read the assembly instructions carefully and follow the safety precautions. Allow sufficient time for assembly. Before starting assembly, clear an area measuring approximately two to three square meters. Remove the item from the packaging and lay out all of the parts and any necessary tools so that they are within easy reach.

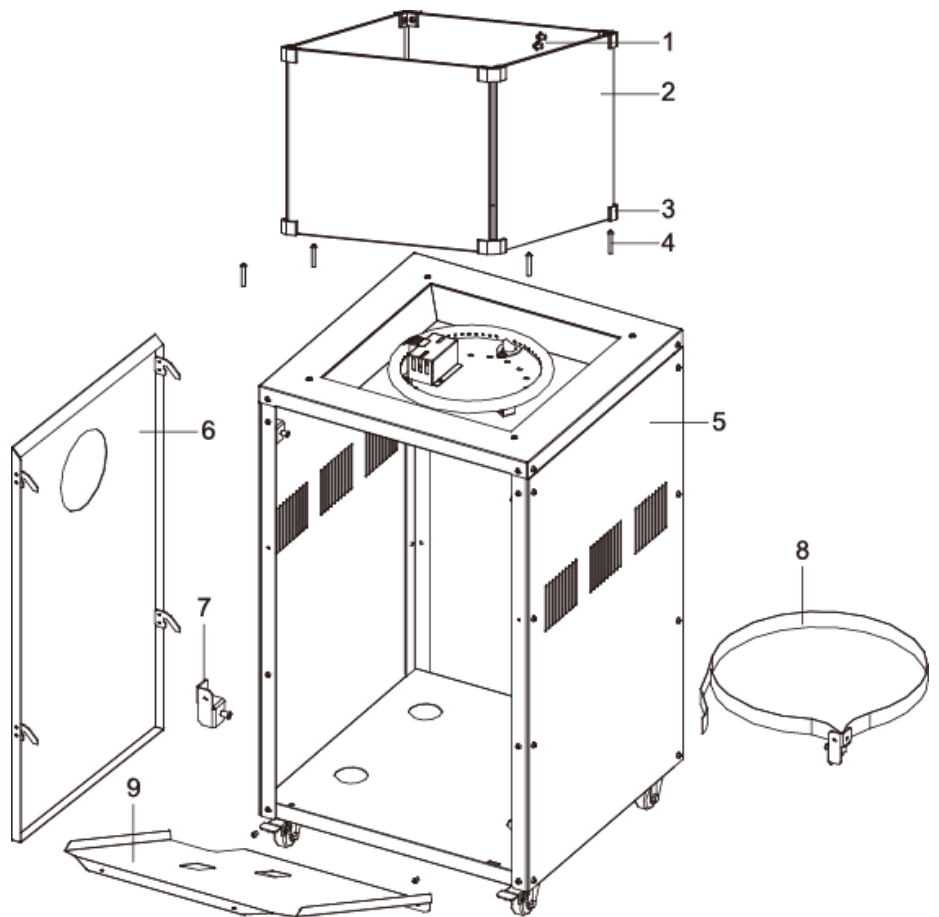
Only tighten all of the screw connections firmly when you have finished assembly or are instructed to within the manual. Otherwise this can result in unwanted tension and instability.

NOTE: Gas supply sold separately.

NOTE: Your patio heater is designed to be used with a gas cannister of a maximum size of 13kg.

PRODUCT OVERVIEW AND PARTS LIST

#	DESCRIPTION
1	M5x20 screws
2	Glass Window
3	Edge Protectors
4	M5x30 screws
5	Burner & Tank Housing Assembly
6	Door
7	Bracket A for Door
8	Bracket B with Belt for Door
9	Insulation Board



10

11

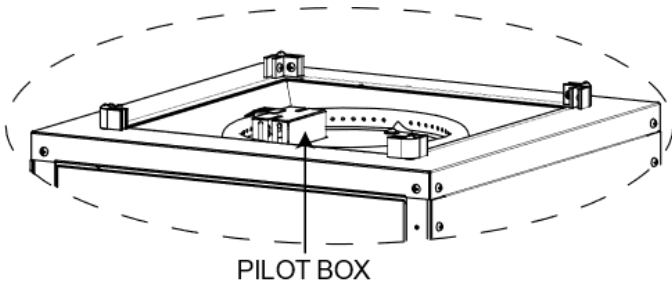
#	MODEL	DESCRIPTION
10	EQODFGS	Glass Stones
11	EQODHLR	Lava Rocks and 4 x Logs

Note: Some of the fittings may be provided pre-attached to the unit.

ASSEMBLY

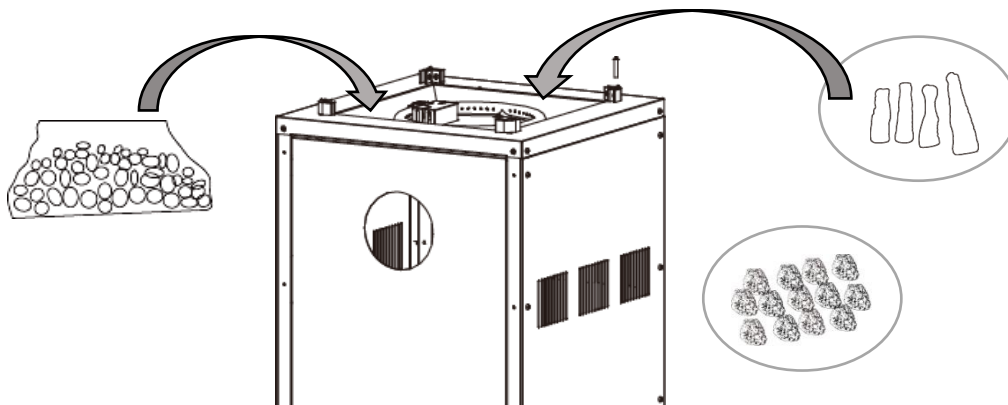
CAUTION:

- The glass parts reach very high temperatures, do not touch while it is working!
- In the case of hotplate glass breakage, shut off all burners and any heating elements and isolate the appliance from the power supply.
- Do not touch the appliance surface.
- Always check for leaks before using the appliance.
- Do not block the pilot box and burner when filling glass stones or lava rocks/logs.

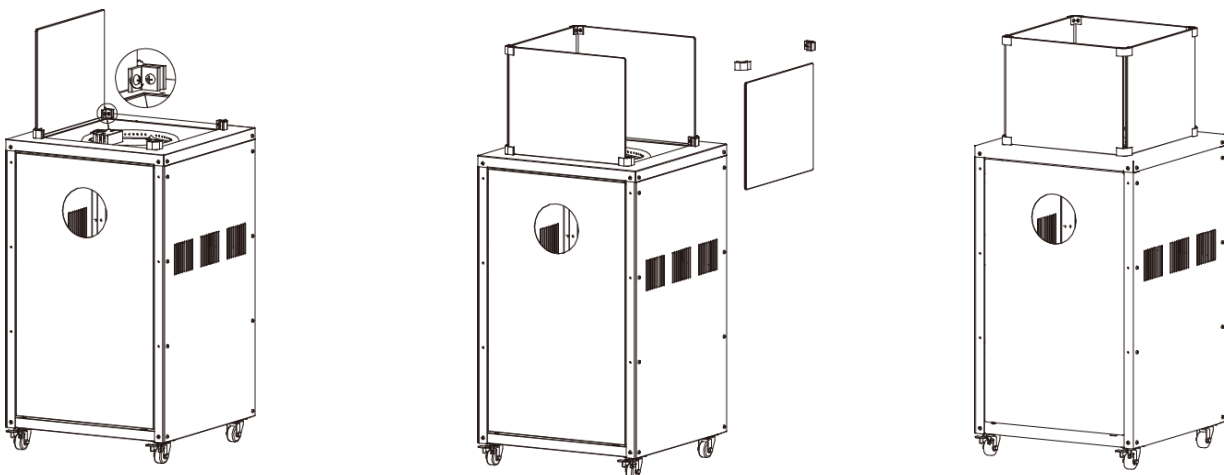


ASSEMBLY STEPS

1. Install 4 x edge protectors (3) onto the top of tank housing using 4 x M5x30 screws (4). Add glass stones or lava rocks/logs onto the burner.



2. Fix the 4 x glass windows (2) to the edge protectors (3) using 8 x M5x20 screws (13) carefully.
3. Fix the 4 x large edge protectors on the top corner between each glass window using 8 x M5x20 screws.



OPERATING INSTRUCTIONS

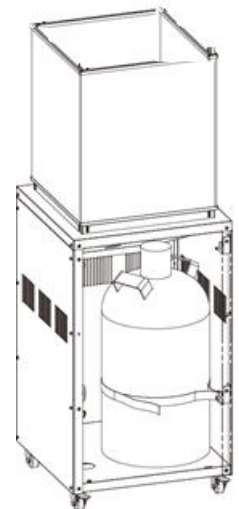
BEFORE FIRST USE AND AFTER EVERY GAS CYLINDER CHANGE, GAS DELIVERY SYSTEM MUST BE PURGED OF AIR BEFORE IGNITING! TO DO THIS, TURN THE CONTROL DIAL ANTI-CLOCKWISE TO THE PILOT SETTING. PRESS THE DIAL IN AND HOLD FOR 1 MINUTE BEFORE ATTEMPTING IGNITION.

GAS REQUIREMENTS

- The pressure adjuster should comply with the standard EN16129 and current regulations in the country where it is installed, which may be found at your nearest retailer of gas items.
- Refer to the technical date. It is strictly prohibited to use adjustable pressure.
- The life expectancy of the regulator is estimated as 10 years. It is recommended that the regulator is changed within 10 years of the date of manufacture or the national conditions require it.
- The type of replaceable hose should meet the standard of EN16436-1.
- The length of the hose must be 0.4 meters (minimum) and 1.0 meters (maximum). Worn or damaged hose must be replaced. Ensure that the hose is not obstructed nor kinked. It is recommended that the hose is changed within 1 year of the date of manufacture or the national conditions require it.
- Never use a gas cylinder with a damaged body, valve, collar, or foot ring. A dented or rusty gas tank may be hazardous and should be checked out by a gas supplier.
- Always perform a leak test on gas connections whenever a cylinder is connected. If bubbles form in the leak test solution, do not use. Never use a flame to test for leaks.
- Never connect this appliance to an unregulated gas source.
- Use only regulator and hose approved for LP Gas at the correct pressures and gas type.
- Using 30mbar butane regulator for butane of I3B/P(30) or butane of I3+.
- Using 30mbar propane regulator for propane or butane/propane mixture of I3B/P(30).
- Using 37mbar propane regulator for propane of I3P(37).
- Using 50mbar butane regulator for butane of I3B/P (50).
- Using 50mbar propane regulator for propane or butane/propane mixture of I3B/P (50)

CONNECTING TO A GAS CYLINDER

- Use max 13kg gas cylinder. Please refer to your gas supplier for suitable gas cylinder.
- Refer to your gas supplier for instructions on the use of your gas cylinder.
- Only change gas cylinders outdoors or in a well-ventilated area away from naked flames and any other source of ignition.
- The gas cylinder must always be used in an upright position.
- Close the appliance control dial by turning fully clockwise.
- Close the gas cylinder tap and then attach the regulator onto the gas cylinder.
- Tighten all connections firmly and with a spanner where appropriate. The cylinder should be located on the cylinder base.
- Check for leaks at all joints using soapy water. If a leak is found, tighten the joint and then re-test.



SECURING A GAS CYLINDER

1. Position a gas cylinder inside the tank housing.
2. Stick cylinder restraint straps together as RIGHT photo illustrated.
The straps must be in a proper tightness for the gas cylinder.

Caution: Please take care that the cylinder restraint straps. DO NOT strain the regulator assembly.

LEAK TESTING

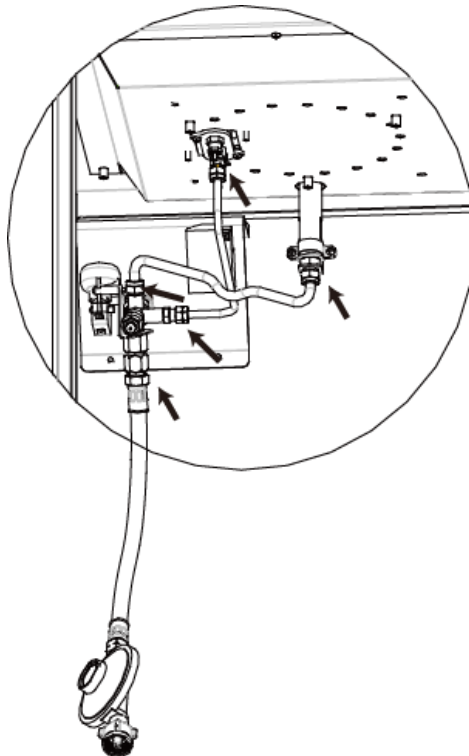
NEVER USE A NAKED FLAME TO CHECK FOR LEAKS.

NEVER LEAK TEST WHILE SMOKING.

The gas connections on this appliance are leak tested at the factory prior to shipment.

This appliance needs to be periodically checked for leaks and an immediate check is required if the smell of gas is detected.

- Make a soap solution using 1 part of liquid washing-up liquid to 3 parts water. The soap solution can be applied with a soap bottle, brush, or rag to the leak tested points shown in the figure.
- The valve of the gas cylinder should be in the **OFF** position at this point of the leak test. Once the soapy solution is applied to the gas connections, the valve of the gas cylinder needs to be turned to the **ON** position.
- Soap bubbles will begin to form in the soapy solution if a leak is present.
- In case of a leak, turn off the gas supply. Tighten any leaking fittings, then turn the gas supply on and recheck.



OPERATING INSTRUCTIONS

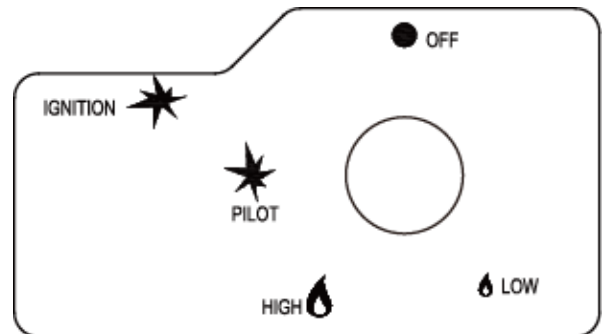
BEFORE FIRST USE AND AFTER EVERY GAS CYLINDER CHANGE, GAS DELIVERY SYSTEM MUST BE PURGED OF AIR BEFORE IGNITING! TO DO THIS, TURN THE CONTROL DIAL ANTI-CLOCKWISE TO THE PILOT SETTING. PRESS DIAL IN AND HOLD FOR ABOUT 2 MINUTES BEFORE ATTEMPTING IGNITION.

BATTERY REPLACEMENT

Remove impulse ignition cap from below Ignition by turning cap counterclockwise. Install 1 AAA battery. The negative end of battery goes in first, then replace the pulsed ignition cap by turning clockwise.

TO LIGHT THE PILOT

- Check all connections prior to each use.
- Turn on main gas supply at source.
- Press to turn control dial anti-clockwise to **PILOT**.
- Hold the dial down, press **IGNITION** button repeatedly until pilot flame is lit, then continue to hold the dial down for 20 seconds until the pilot remains lit after releasing dial.
- If pilot fails to ignite or alight, press to turn dial clockwise to **OFF** and repeat.



TO LIGHT THE APPLIANCE

- The pilot should be lit and the dial set to **PILOT**.
- Hold the dial down gently and turn anti-clockwise to **HIGH**.
- When the appliance lights, turn dial clockwise from **HIGH** to **LOW** as needed.

RE-LIGHTING

- Turn Control Dial to OFF.
- Wait at least 5 minutes to let gas dissipate before attempting to re-light pilot.
- Repeat the "Lighting" steps.

TO EXTINGUISH

- Hold dial down and turn the dial clockwise to 'OFF'
- Close the valve of the gas cylinder or the regulator after use.
- Close the gas bottle and allow this appliance to cool before moving the appliance.

Note: Close regulator after use, allow the appliance to cool before moving.

Note: When the appliance is not in use, turn the gas cylinder OFF.

MAINTENANCE

To enjoy years of outstanding performance from your heater, make sure you perform the following maintenance activities on a regular basis:

- Keep exterior surfaces clean.
- Use warm soapy water for cleaning. Never use flammable or corrosive cleaning agents.
- While washing your unit, be sure to keep the area around the burner and pilot assembly dry at all times. If the gas control is exposed to water in any way, **DO NOT** try to use it. It must be replaced.
- Airflow must be unobstructed. Keep controls, burner and circulation air passageways clean. Signs of possible blockage include:
 - Gas odour with extreme yellow tipping of flame.
 - Heater does **NOT** reach the desired temperature.
 - Heater glow is excessively uneven.
 - Heater makes popping noises.
- Spiders and insects can nest in burner or orifices. This dangerous condition can damage the heater and render it unsafe for use. Clean burner holes by using a heavy-duty pipe cleaner. Compressed air may help clear away smaller particles.
- Carbon deposits may create a fire hazard. If any carbon deposits develop, clean the dome and burner with warm soapy water.

Note: In environments with a high salt content (such as near the sea), corrosion occurs more quickly than normal. Frequently check the corroded areas and repair them.

SERVICING

- Please consult your supplier for servicing this appliance and replacement of its parts. The servicing of the appliance shall be carried out only by authorised personnel.
- Do not use unauthorised parts or components for this appliance, only use original equipment replacement parts and components. The use of unauthorised parts or components will void the warranty and can create unsafe condition.

STORAGE

There is no limitation on the storage of the appliance indoors provided that the cylinder is disconnected and removed from the appliance.

Between uses or before storage:

- Turn the control dial OFF
- Turn the gas cylinder OFF
- Disconnect the gas bottle.


Store the heater upright in an area sheltered from direct contact with inclement weather (such as rain, sleet, hail, snow, dust and debris). If desired, cover to protect exterior surfaces and to prevent build up in air passages.

Note: Wait until heater is cool before covering.

TROUBLESHOOTING

PROBLEM	CONDITION	FIX
Burner won't light	Cylinder valve is closed	Open valve
	Blockage in orifice or pilot tube	Clean or replace orifice or pilot tube
	Air in the gas line	Open gas line and bleed it (pressing control dial in) for not more than 1-2 minutes or until you smell gas
	Low gas pressure	Gas cylinder low or empty
Burner won't stay lit	Dirt build up around the pilot	Clean dirt from around the pilot
	Connection between the gas valve and pilot assembly is loose	Tighten the connection and perform a leak test
	Bad thermocouple	Replace the thermocouple
Burner flame is low <i>Note: Do not operate heater below 5°C(40°F)</i>	Gas pressure is low	Replace the gas cylinder
	Tank is almost empty.	Replace the gas cylinder
	Supply hose is bent or kinked	Straighten hose and perform leak test on the hose
	Control dial is fully "ON"	Turn control dial to "OFF", let it cool to room temperature and check burner and orifices for blockage
Emitter glows uneven <i>Note: Bottom 2.5cm of emitter does not normally glow</i>	Gas pressure is low	Replace the gas cylinder
	Base is not on a level surface	Place heater on a level surface
	Heater not level	Level the heater
Carbon build-up	Dirt or film on the burning system	Clean the burning system
Thick black smoke	Blockage in burner	Turn the control dial to the OFF position, let it cool to room temperature and remove blockage and clean burner inside and outside.

TECHNICAL SPECIFICATIONS

									
Model		Height (mm)		Width (mm)		Depth (mm)			
EQODHGS / EQODHLR		1090		469		469			
Country Code		BE-CY-CH-CZ-FR-ES-GB-GR-IE-IT-PT-SK-SI-TR		PL		BG-HR-CH-CY-DK-EE-FI-GR-HU-IT-IS-LT-LV-MT-NL-NO-PT-SE-SI-SK-RO-TR		AT-CH-DE	
Category		<input type="checkbox"/> I ₃ +(28-30/37)		<input type="checkbox"/> I ₃ P(37)		<input type="checkbox"/> I ₃ B/P(30)		<input type="checkbox"/> I ₃ B/P(50)	
Gas		G30 G31		G31		G30/G31		G30/G31	
Gas type		Butane Propane		Propane		Butane/Propane		Butane/Propane	
Pressure(mbar)		28-30 37		37		30		50	
Heat input		8kW 8kW		8kW		8kW		7.5kW	
Consumption		599g/h 576g/h		576g/h		599g/h		531g/h	
Gas injector		1.4mm 1.4mm		1.4mm		1.4mm		1.15mm	
Injector Marking		1.4 1.4		1.4		1.4		1.15	
<p>Warning Read the instructions before using this appliance. The appliance must be installed in accordance with instructions and local regulations. The use of this appliance in enclosed areas can be dangerous and is PROHIBITED. For use outdoors or in amply ventilated areas. An amply ventilated area must have a minimum of 25% of the surface area open. The surface area is the sum of the walls surface.</p>									

electriQ UK SUPPORT

www.electriQ.co.uk/support

Call: 0330 390 3061 or complete the online form

Office hours: 9AM - 5PM Monday to Friday

www.electriQ.co.uk

Unit J6, Lowfields Business Park

Lowfields Way, Elland

West Yorkshire, HX5 9DA