

BeBa-26079~BeBa-26090 BeBa-26091~BeBa-26092

The micro protective layer formed during its application will make the water bead along the glass for easy maintenance.

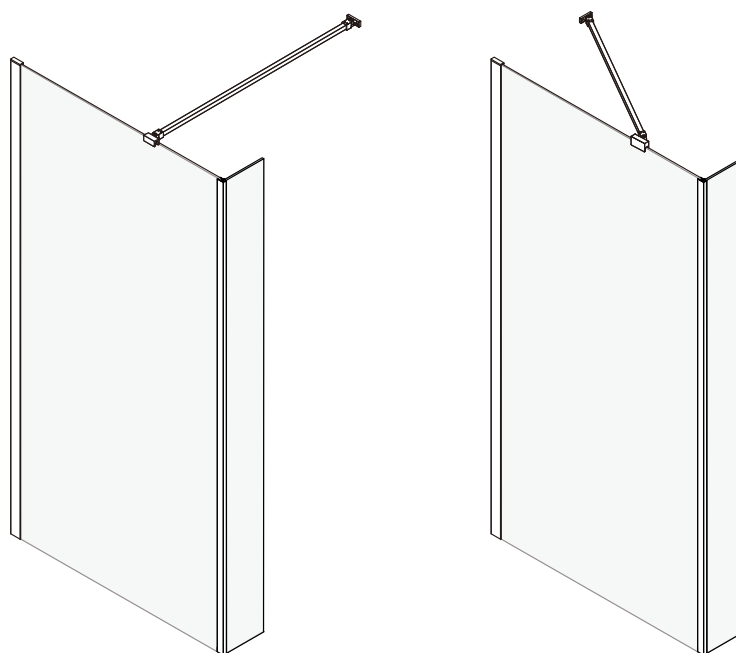
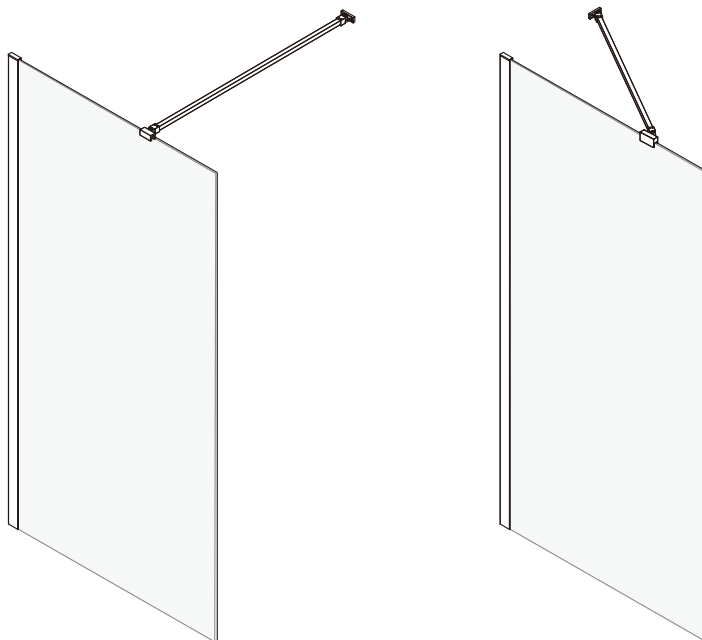
We recommend cleaning the door with the squeegee after each use.

THE MAINTENANCE OF YOUR SHOWER

Never use of powder or scouring pads. Simply clean the door with a solution of water and vinegar, 1 to 5. You can use a mild detergent but never use ammoniac, it could damage the glass surface.

REVERSIBLE DOOR

Les instructions montr é s au manuel sont pour le montage de la porte droite.
The instructions shown in the manual is for the installation of the right door.



INSTALLATION MANUAL

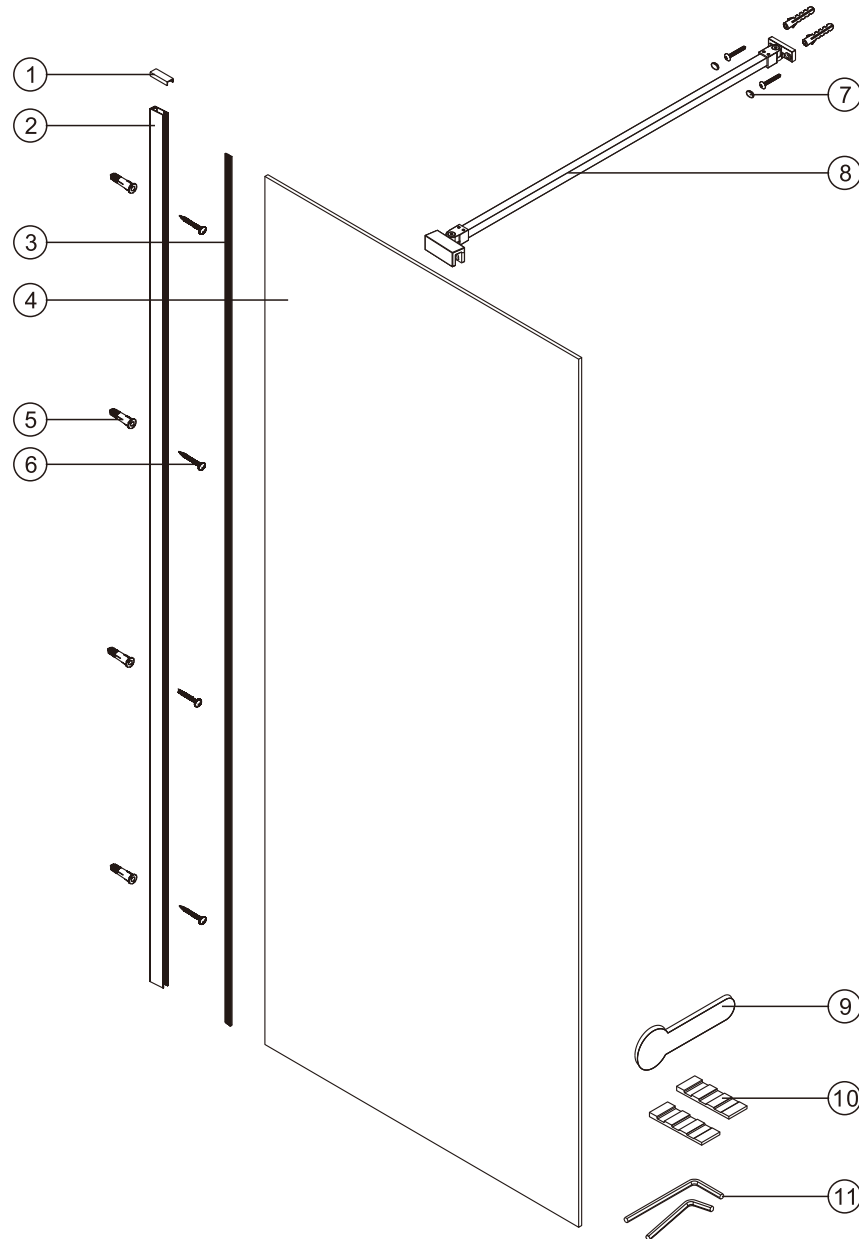
IMPORTANT

- Thoroughly inspect your product before proceeding with the installation.
- The warranty will be void if the product is installed with a conspicuous defect.
- Before commencing drilling please check that no pipes or cables can be damaged.

CAUTION

- To prevent leaks, silicone must be applied on the outside of the shower and not on the inside!
- Read all instructions carefully before starting the installation.
- Save this manual for future reference.

PARTS LIST



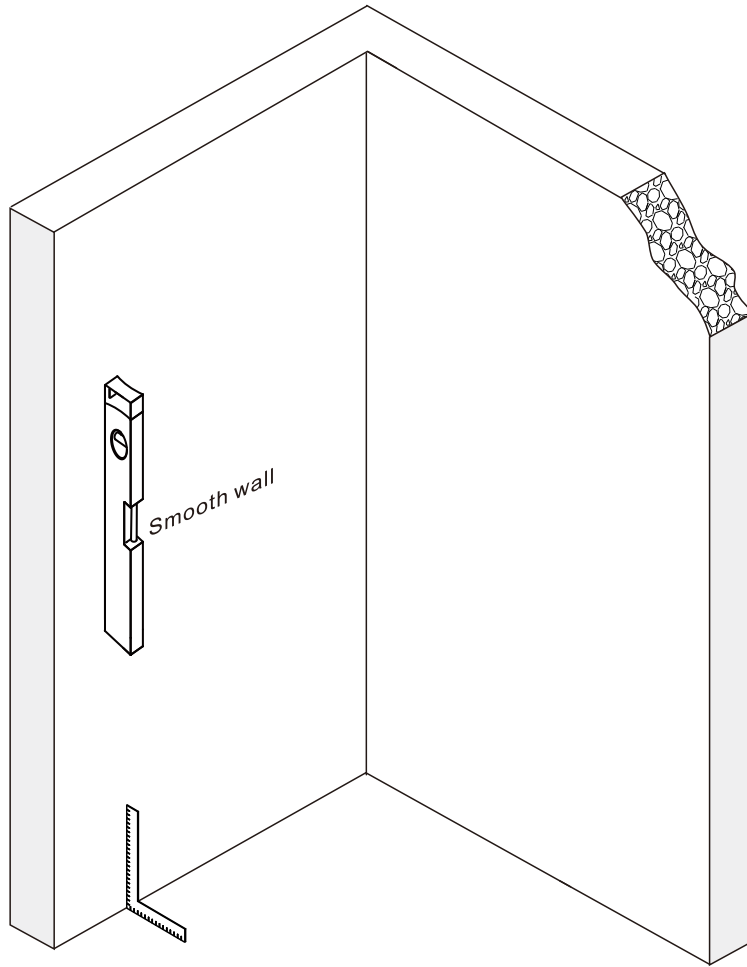
NO	Qty	Description	NO	Qty	Description
1	1	Cover Cap	7	2	Screw cap
2	1	Wall Channel	8	1	Bracing bar
3	1	Squeeze gasket	9	1	Squeeze gasket tool
4	1	Glass Screen	10	2	Glass Wedge
5	6	Wall Plug	11	2	Allen key
6	6	Screw ST4X40			

PARTS LIST

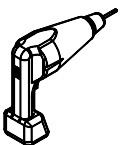


NO	Qty	Description
1	1	Glass Screen
2	2	Squeeze gasket
3	1	Corner profile
4	1	Squeeze gasket tool
5	2	Glass Wedge

PREPARATION



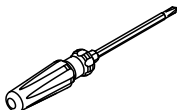
TOOLS AND MATERIALS REQUIRED



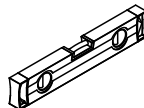
PERCEUSE
DRILL



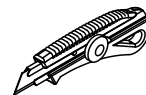
VIS
SCREWS



TOURNEVIS
SCREWDR



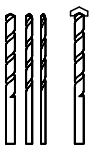
NIVEAU
LEVEL



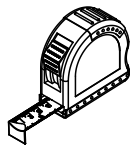
COUTEAU DE PRECISION
PRECISION KNIFE



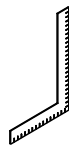
SILICONE
SILICONE



FORETS: 1/8", 3/16" ET 1/4"
*FORET À MAÇONNERIE
DRILL BITS: 1/8", 3/16" ET 1/4"
*MASONRY DRILL BIT



RUBAN À MESURER
MEASURING TAPE



ÉQUERRE
SET SQUARE



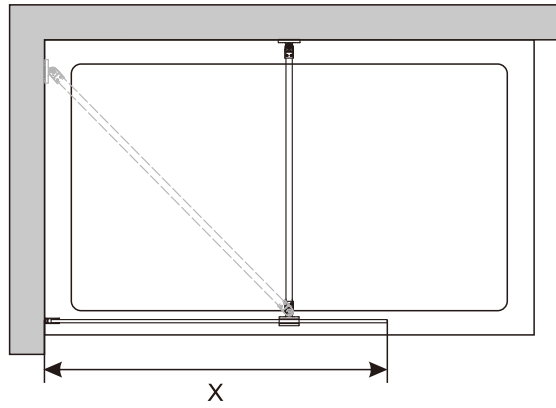
CRAYON
PENCIL



MAILLET
MALLET

CONTINUED

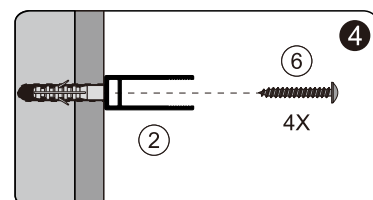
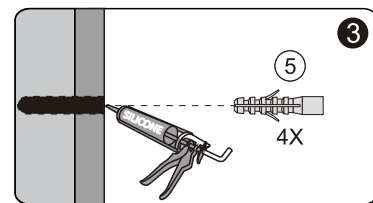
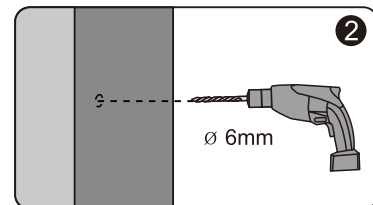
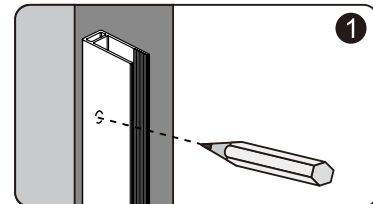
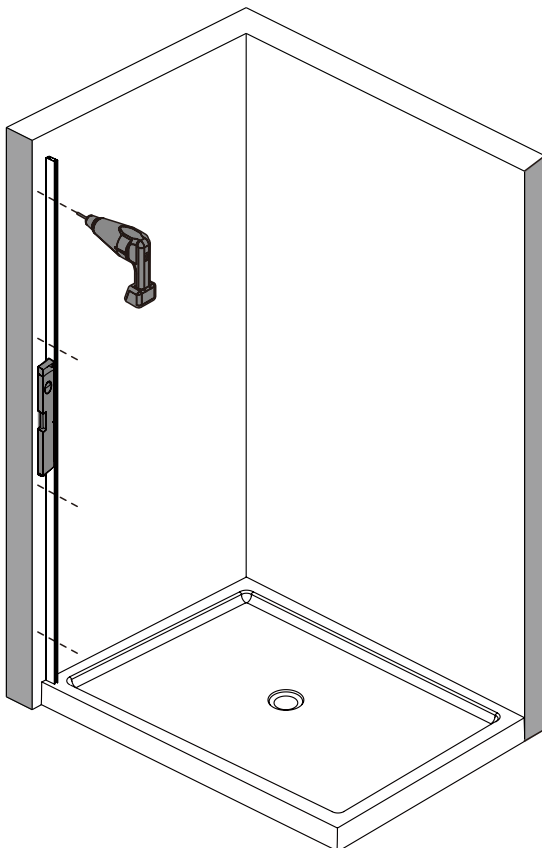
A 01



Size	X,mm
800	775~790
900	875~890
1000	985~1000
1100	1085~1100
1200	1185~1200
1400	1385~1400

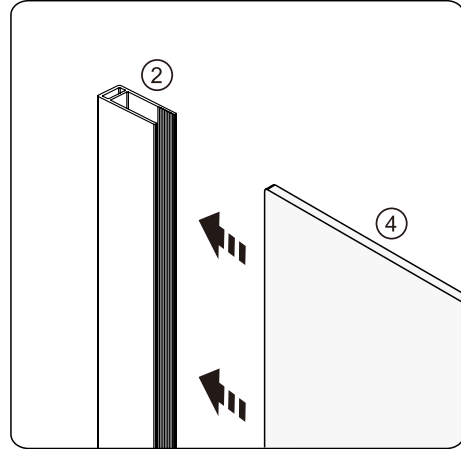
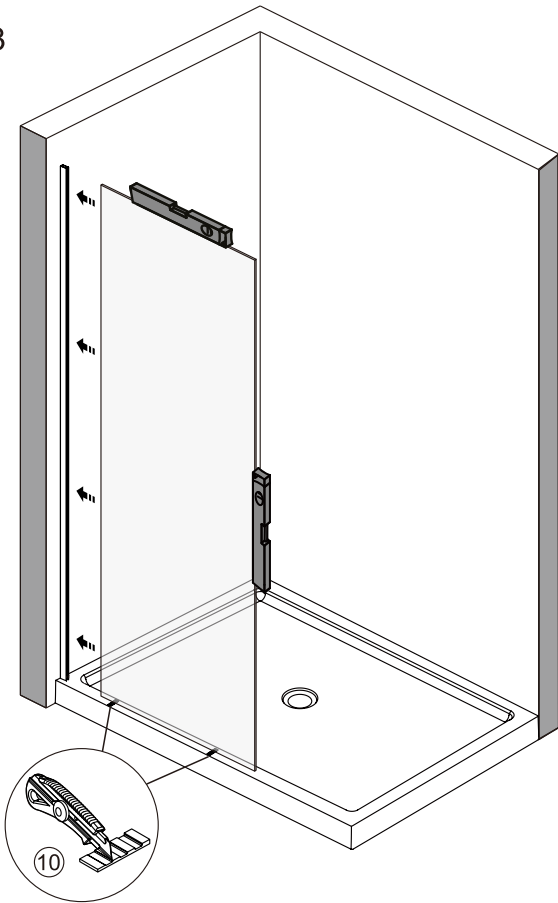
CONTINUED

A 02



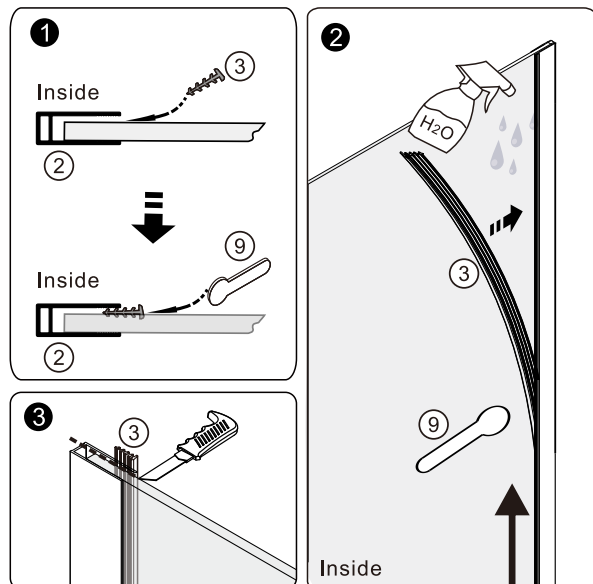
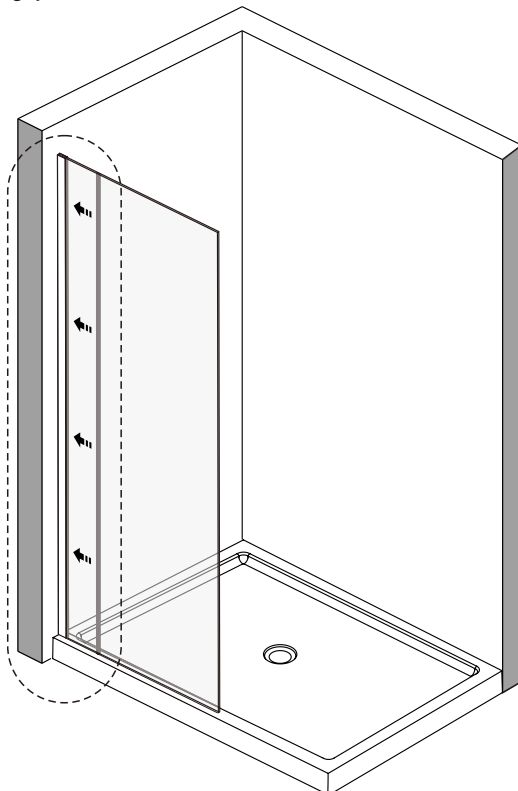
CONTINUED

A 03

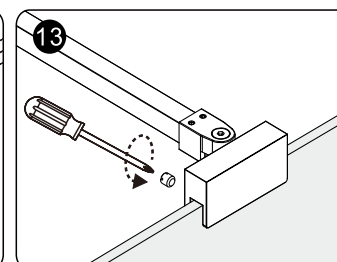
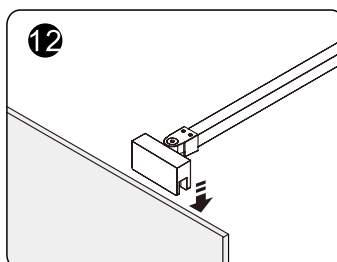
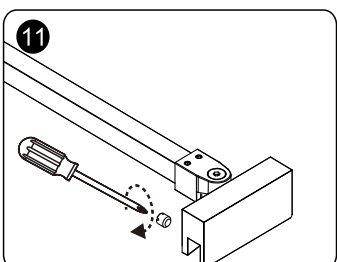
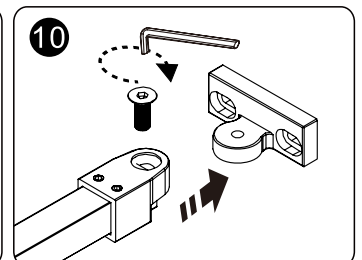
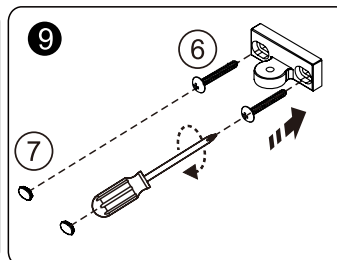
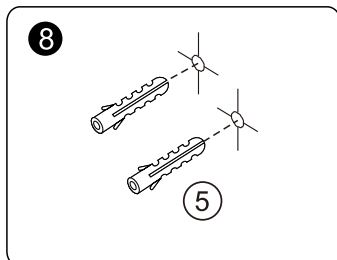
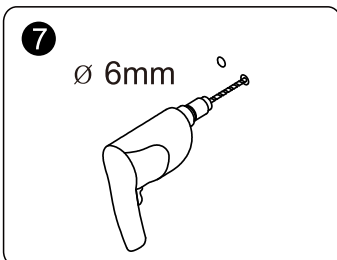
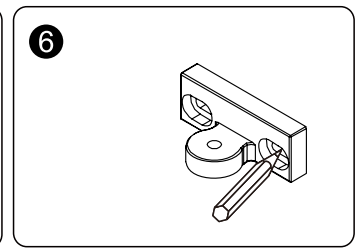
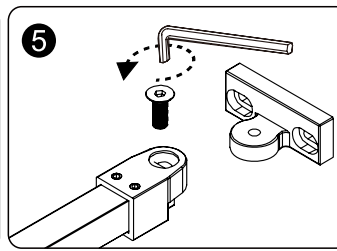
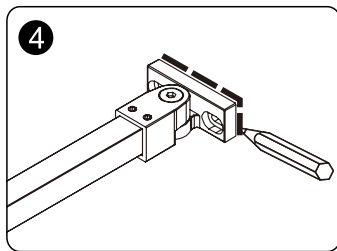
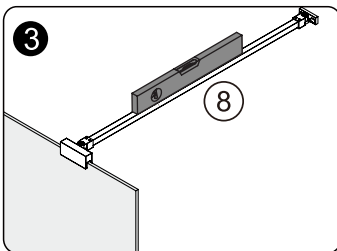
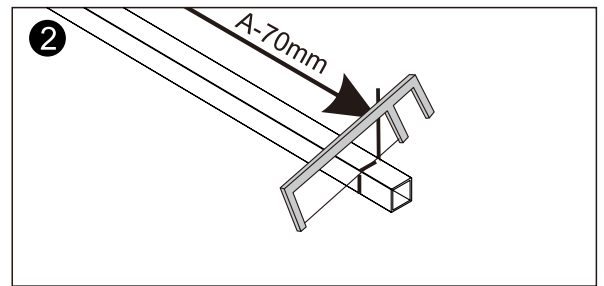
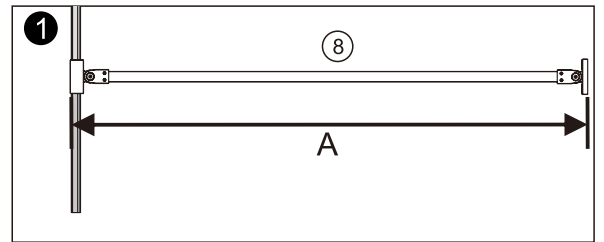
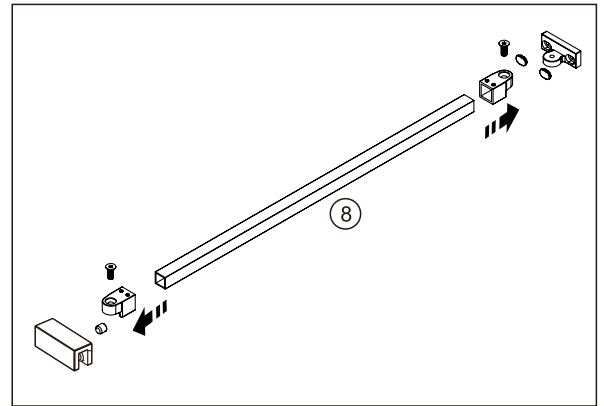
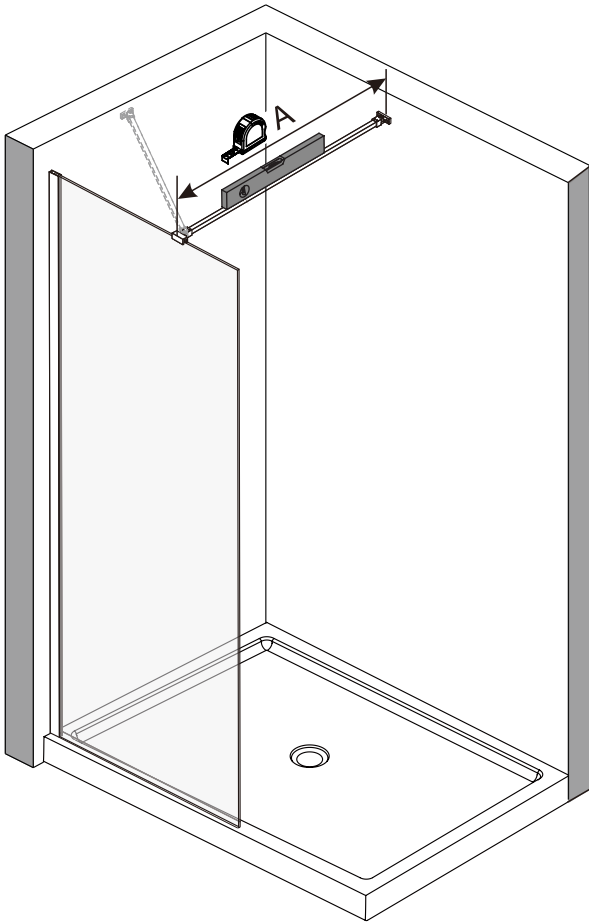


CONTINUED

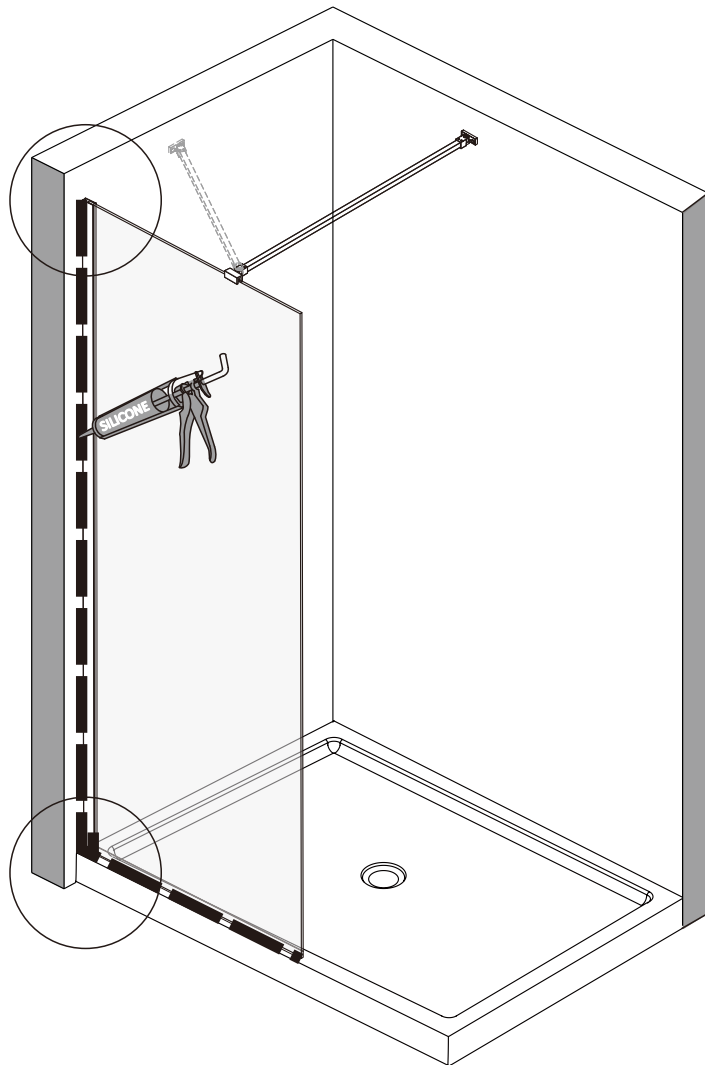
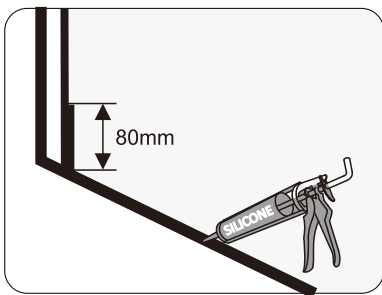
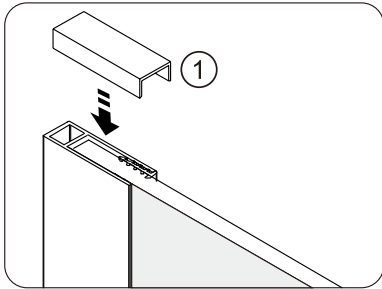
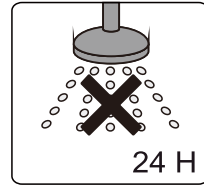
A 04



A 05

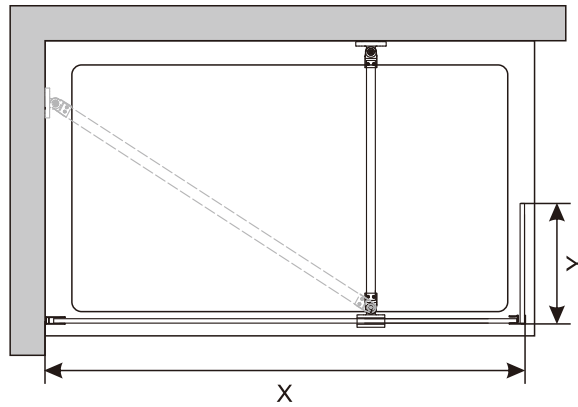


A 07



CONTINUED

B 01

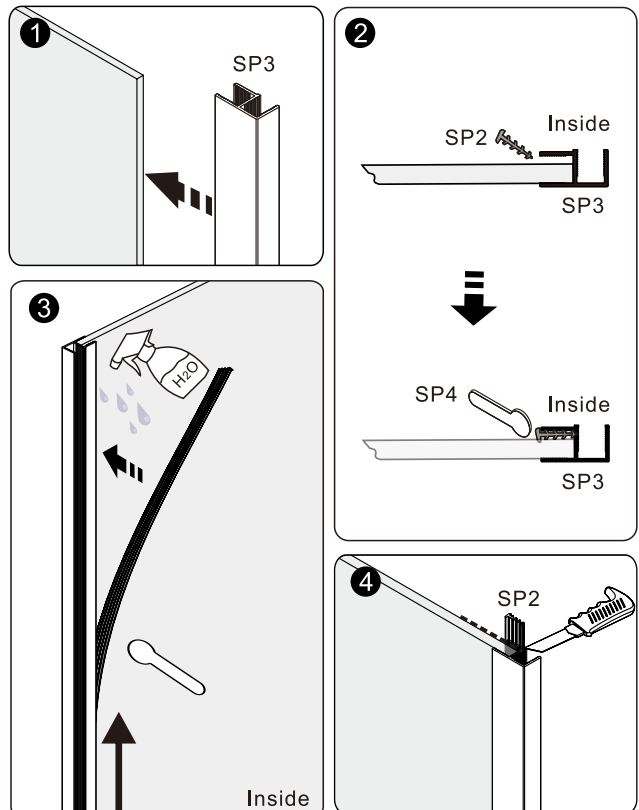
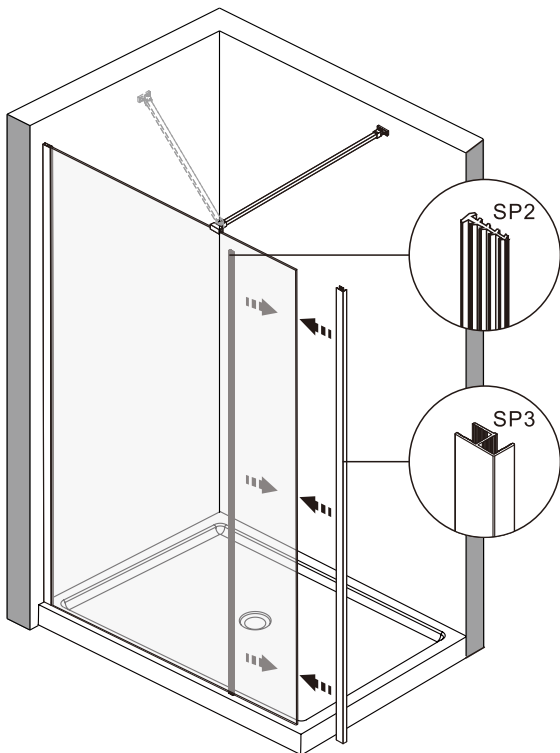


Size	X,mm
800	790~805
900	890~905
1000	1000~1015
1100	1100~1115
1200	1200~1215
1400	1400~1415

Size	Y,mm
300	300

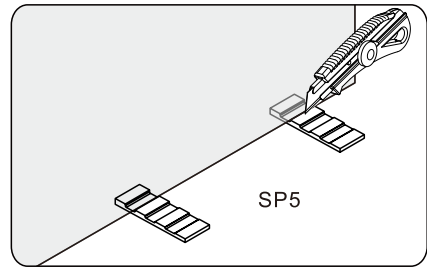
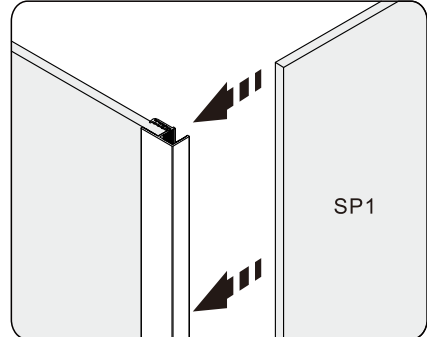
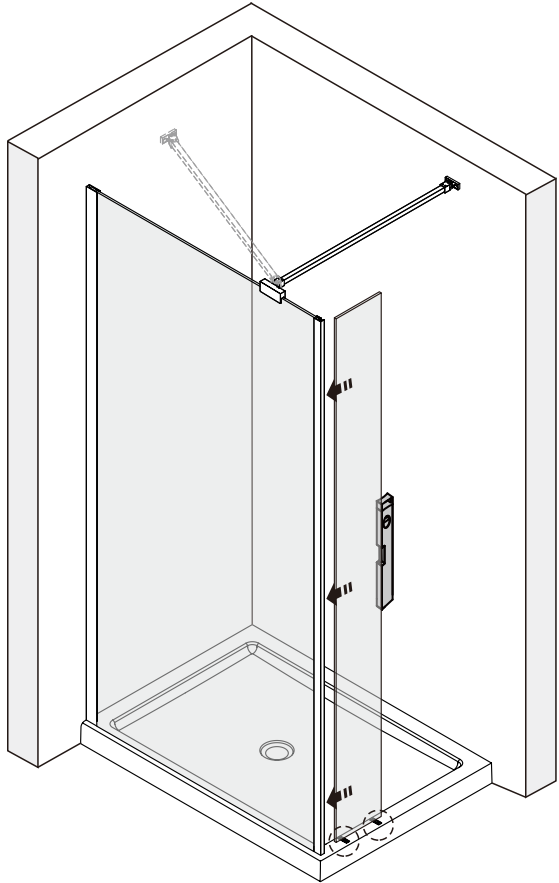
CONTINUED

B 02



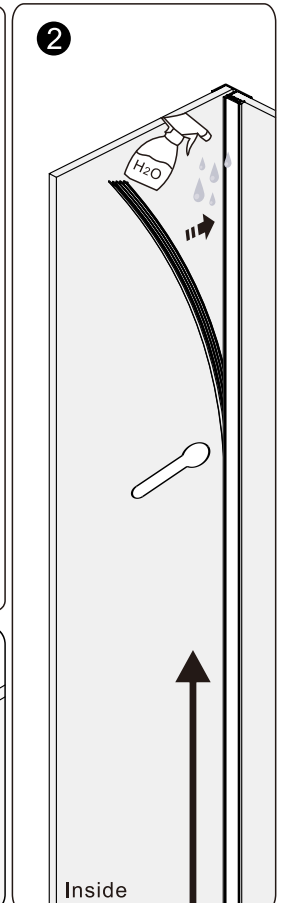
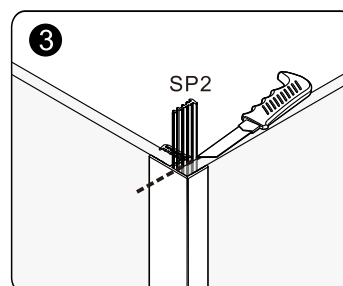
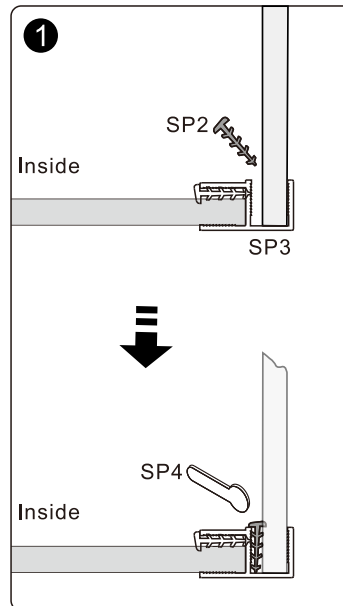
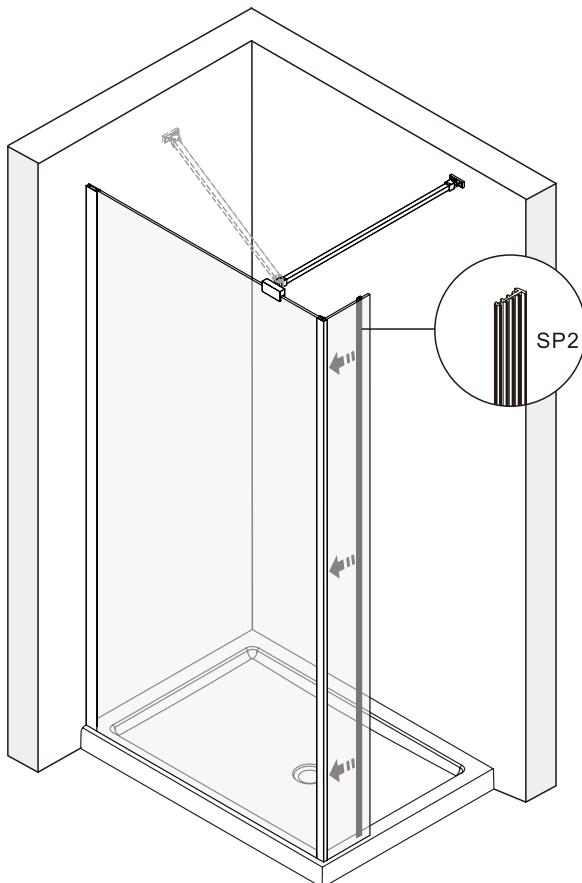
CONTINUED

B 03



CONTINUED

B 04



CONTINUED

B 05

