

USER MANUAL

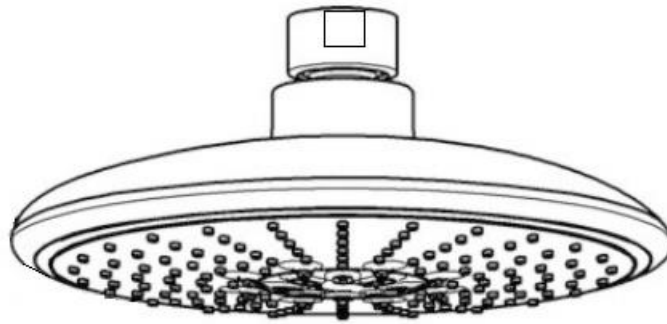


Thank you for choosing Better Bathrooms.
Please read this manual before installing your product
and keep for future reference.

Better
Bathrooms.com

Shower Head

- Shower arm supplied separately



Please note: Image is for illustrative purposes only and may differ slightly to the actual product

- **Single-person assembly**
- **Tools required**
- **We always recommend using professional tradespeople to install your product**

V1_2.6.20

Congratulations on your purchase

And welcome to our growing gang of savvy shoppers

We're on a mission to bring you extraordinary bathroom products, for less. From modern to traditional style ceramics, plus the gorgeous fixtures, fittings and furniture to match. So, you can fall in love with your space every single day.

As one of the UK's largest independent bathroom stores, we've received countless awards; including the National Business Awards UK, the Digital Entrepreneur Awards and being placed on The Sunday Times Fast Track 100.

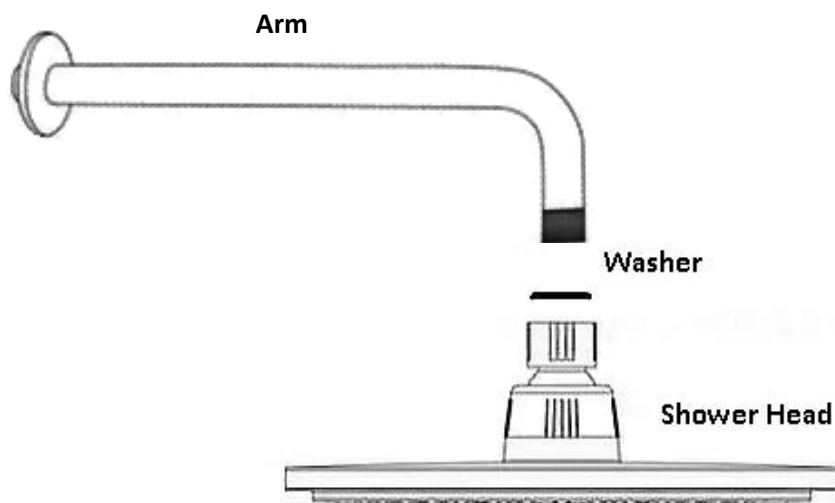
We hope your new product exceeds your highest expectations. However, if you experience any problems, please:

- call our friendly UK call centre on **0871 244 0935** (9am-7pm Monday to Friday, or 10am-4pm Saturday and Sunday), or
- send us a message via **customerservices@buyitdirect.co.uk**

Important information

- Please read these instructions thoroughly and retain for future reference.
- Manufactured to BS EN1112 Shower outlets for sanitary tapware.

Parts



Please note that Parts are for illustrative purposes only and may differ slightly to the actual product

1. Washer
2. Shower head

Tools required

Spanner

Installation

Please note: No tools are required

1. Place the washer into swivel joint of the shower head (please refer to parts diagram for location).
2. Connect the swivel joint to the shower arm (not supplied) and tighten using a spanner, taking care not to damage the nut.

Troubleshooting

Poor flow from shower head

1. This can be caused by poor water flow to the shower head, check the flow to the shower head.
2. There may be a blockage in the shower head, clean the shower head.

Maintenance

- Remove the shower head and turn on the mixer. Check the flow of water, and if this is poor, it is not an issue with the shower head, and further investigation is required. Example: insufficient pressure in the system or blockage in the mixer or pipework.
- If your shower head has rubber nozzles, rub these with your finger to remove any blockage then turn on the shower, but do not shower immediately, allow the hand shower to flush through for 10 seconds.
- If the shower head does not have rubber nozzles and only has holes, brush the holes with a soft brush under warm running water to remove any blockage.
- Replace the shower head if the issue is not a pressure issue, blockage in the mixer and the shower head has been cleaned.

Cleaning

To maintain the surface finish of your product, wipe clean after every use, using a clean damp cloth, a mild detergent mixture can be used. Do not use abrasive cleaning agents or materials on the product surface.

If any harsh chemicals come into contact with the surface of the product during bathroom cleaning, rinse off immediately, wipe clean and dry.

For more information

- visit betterbathrooms.com
- email customerservices@buyitdirect.co.uk
- call 0871 244 0935
- write to Trident Business Park, Neptune Way, Huddersfield, HD2 1UA

Better
bathrooms.com 

Part of the BuyItDirect Group